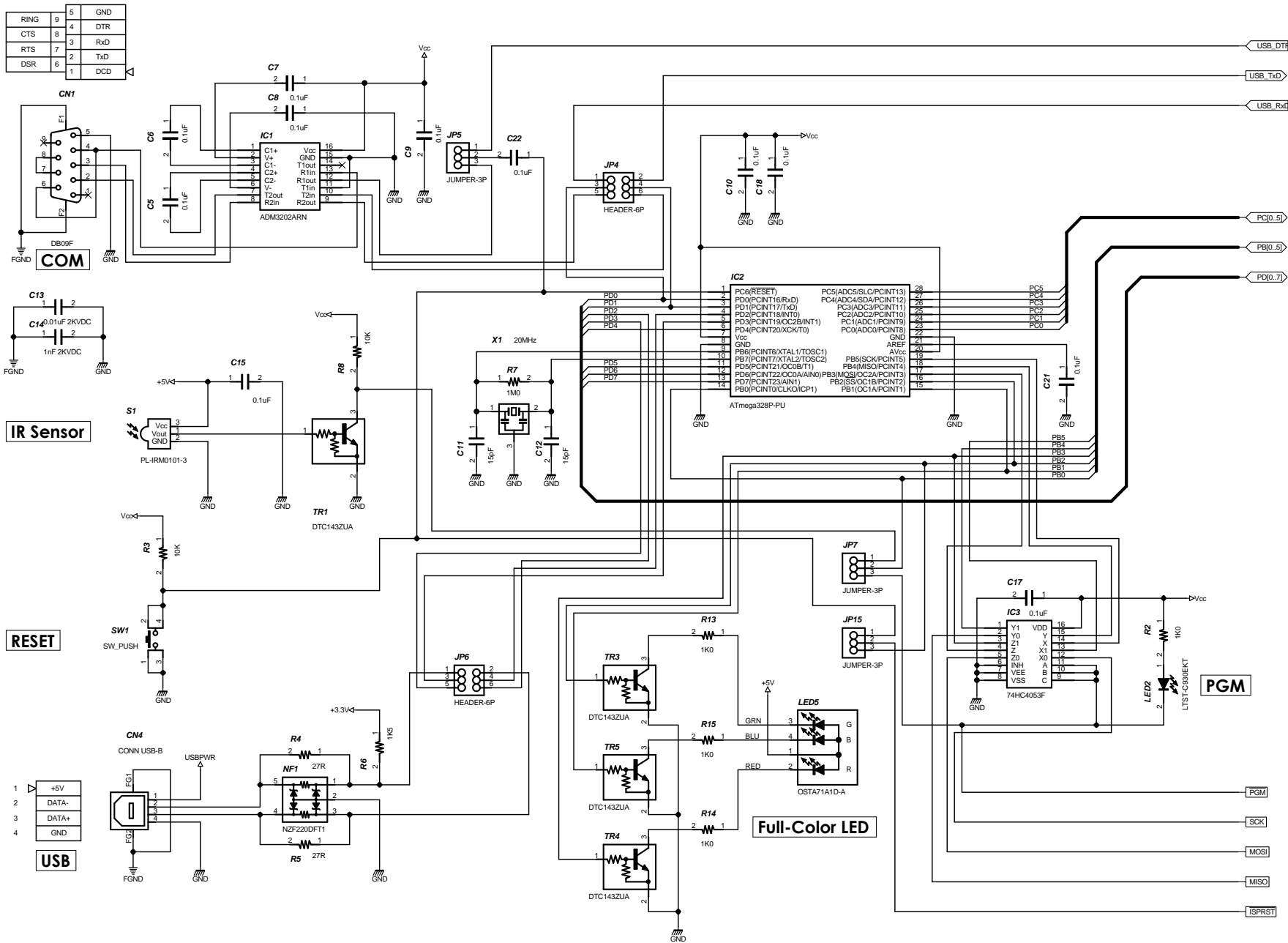


# NANDethno BASIC (ALL)

[ ATmega8/88/168/328 Prototype Board with On-Board ISP Writer]

<b>STUDIO NAND</b>		<b>NAND</b>
<b>NANDethno BASIC</b>		
Creation Date <b>2010/05/27</b>		
Sheet Size <b>A2</b>	Modified Date <b>2010/05/27</b>	<b>A</b>



To SHEET3

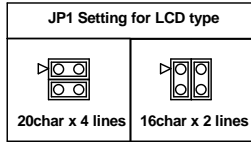
To SHEET2

To SHEET3

# NANDethno BASIC (1/3)

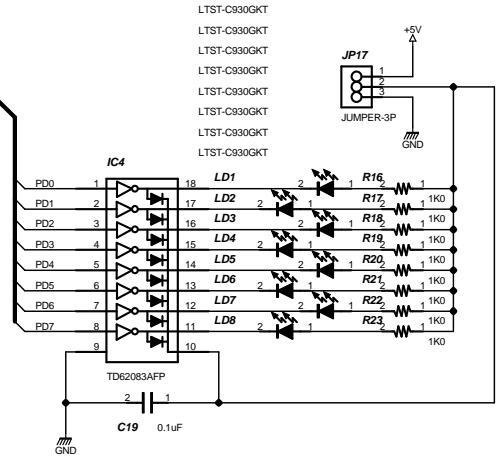
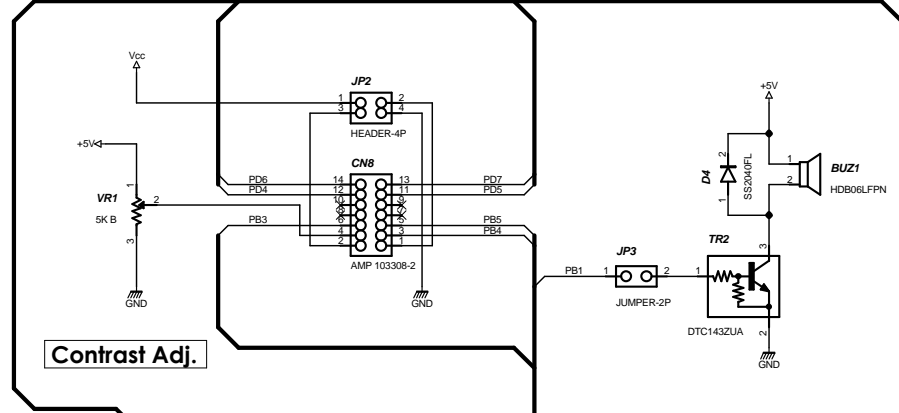
[ ATmega8/88/168/328 Prototype Board with On-Board ISP Writer ]

<b>STUDIO NAND</b>		<b>NAND</b>
<b>NANDethno BASIC</b>		
Creation Date		2010/05/27
Sheet Size <b>A2</b>	Modified Date	2010/05/27
		<b>A</b>



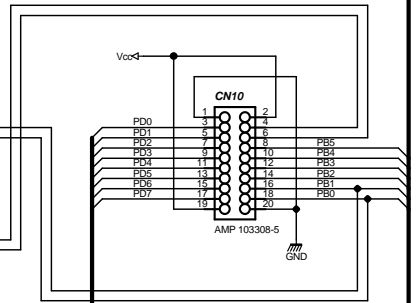
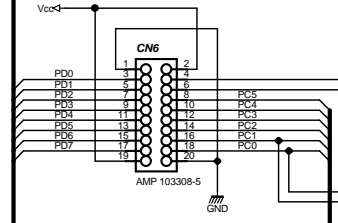
DB6	14	13	DB7
DB4	12	11	DB5
DB2	10	9	DB3
DB0	8	7	DB1
R/W	6	5	E
VADJ	4	3	PA0
VCC/GND	2	1	GND/VCC

**LCD-I/F**



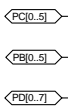
GND	1	2	VCC
PD0	3	4	PB1
PD1	5	6	PB0
PD2	7	8	PC5
PD3	9	10	PC4
PD4	11	12	PC3
PD5	13	14	PC2
PD6	15	16	PC1
PD7	17	18	PC0
VCC	19	20	GND

**GENERIC I/O #1**



GND	1	2	VCC
PD0	3	4	PC1
PD1	5	6	PC0
PD2	7	8	PB5
PD3	9	10	PB4
PD4	11	12	PB3
PD5	13	14	PB2
PD6	15	16	PB1
PD7	17	18	PB0
VCC	19	20	GND

**GENERIC I/O #2**



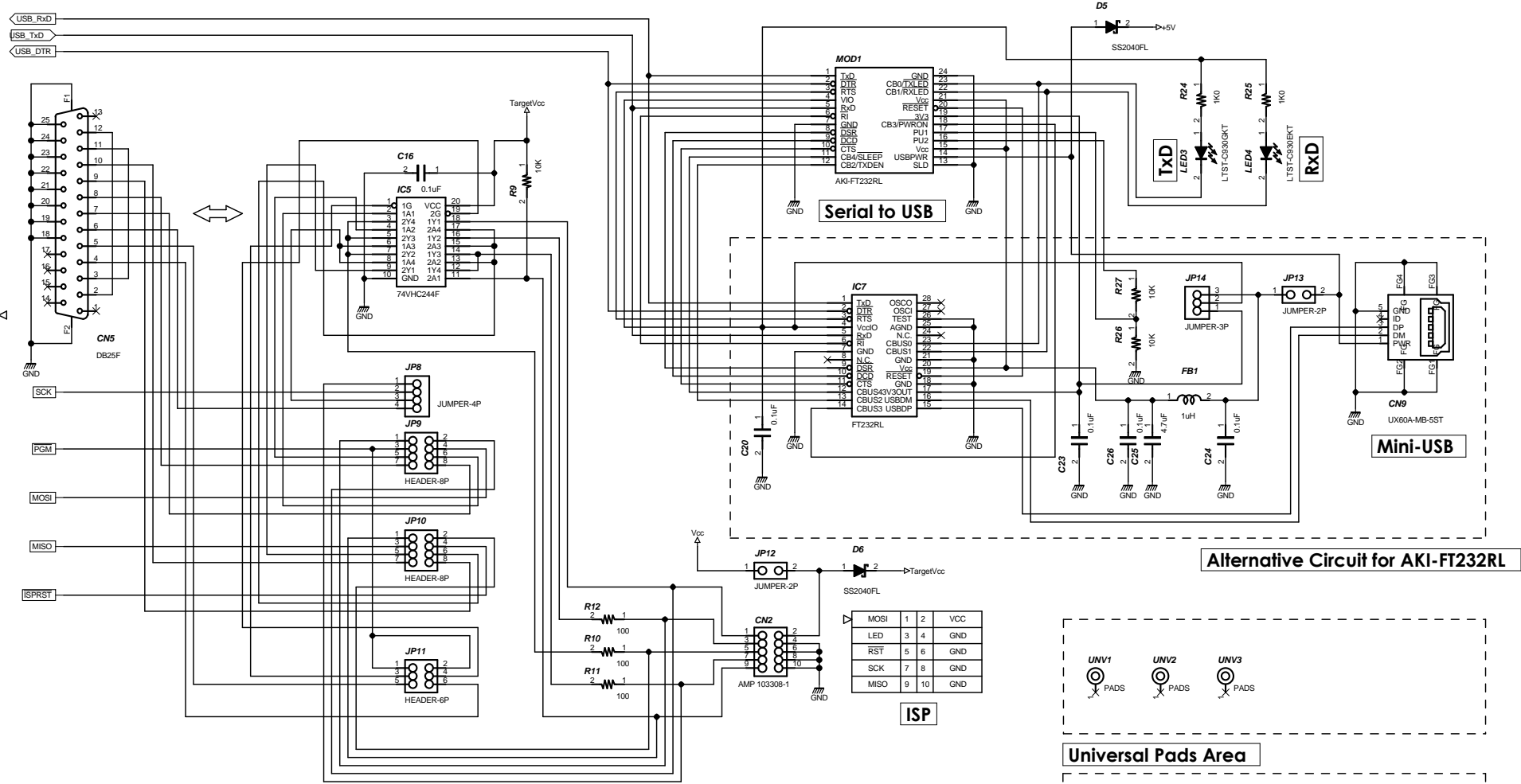
# NANDethno BASIC (2/3)

[ ATmega8/88/168/328 Prototype Board with On-Board ISP Writer]

<b>STUDIO NAND</b>		<b>NAND</b>
<b>NANDethno BASIC</b>		
Creation Date <b>2010/05/27</b>		
Sheet Size <b>A2</b>	Modified Date <b>2010/05/27</b>	<b>A</b>

GND	25	13	SEL
GND	24	12	FE
GND	23	11	BSY
GND	22	10	ACK
GND	21	9	D7
GND	20	8	D6
GND	19	7	D5
GND	18	6	D4
GND	17	5	D3
PS	16	4	D2
INIT	15	3	D1
ERR	14	2	DO
FEED	1		STB

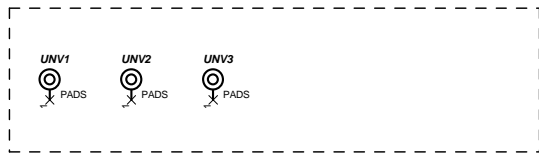
PARALELL



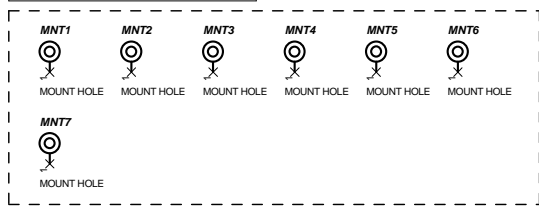
Alternative Circuit for AKI-FT232RL

MOSI	1	2	VCC
LED	3	4	GND
RST	5	6	GND
SCK	7	8	GND
MISO	9	10	GND

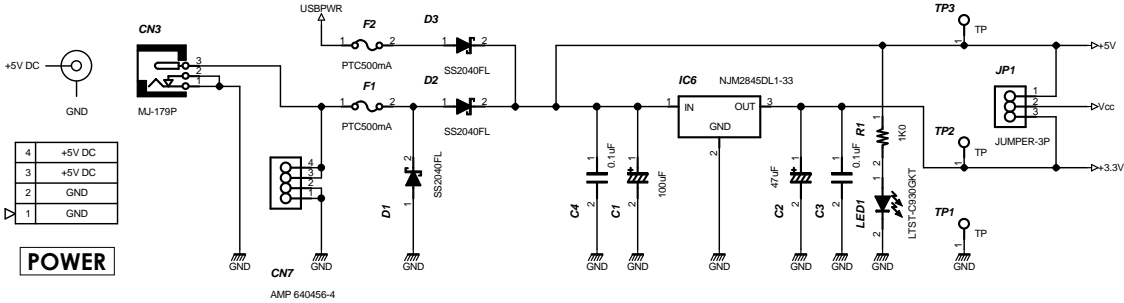
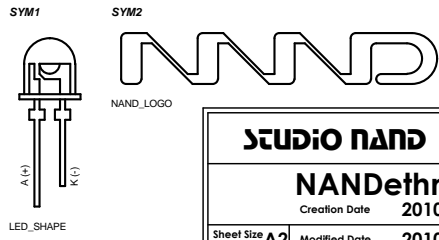
ISP



Universal Pads Area



Mounting Holes



POWER

# NANDethno BASIC (3/3)

[ ATmega8/88/168/328 Prototype Board with On-Board ISP Writer]

**STUDIO NAND**

**NANDethno BASIC**

Creation Date **2010/05/27**

Sheet Size <b>A2</b>	Modified Date <b>2010/05/27</b>	<b>A</b>
----------------------	---------------------------------	----------