

This document is released under the Creative Commons Attribution-NonCommercial-ShareAlike 3.0 License. (CC BY-NC-SA 3.0)

To view a copy of this license, visit web site [<http://creativecommons.org/licenses/by-nc-sa/3.0/>] Or, send a letter to Creative Commons, 444 Castro Street, Suite 900, Mountain View, California, 94041, USA.

Copyright (C) reserved 2011, Studio NAND (Dairyo Gokan). Website: <http://www.studio-nand.com/>

All trademarks represented in this document are registered by their respective owners.

## NANDethno Pocket Expansion Type-B (ALL)

<b>STUDIO NAND</b> 	
<b>Pocket Expansion Type-B</b>	
Creation Date	2011/12/08
Sheet Size <b>A2</b>	Modified Date 2011/12/08
	<b>A</b>

PF7(ADC7/TDI)	14	13	PF6(ADC6/TDO)
PF5(ADC5/TMS)	12	11	PF4(ADC4/TCK)
PF3(ADC3)	10	9	PF2(ADC2)
PF1(ADC1)	8	7	PF0(ADC0)
PG2(ALE)	6	5	PG1(RD)
PG0(WR)	4	3	N.C.
VCC	2	1	GND

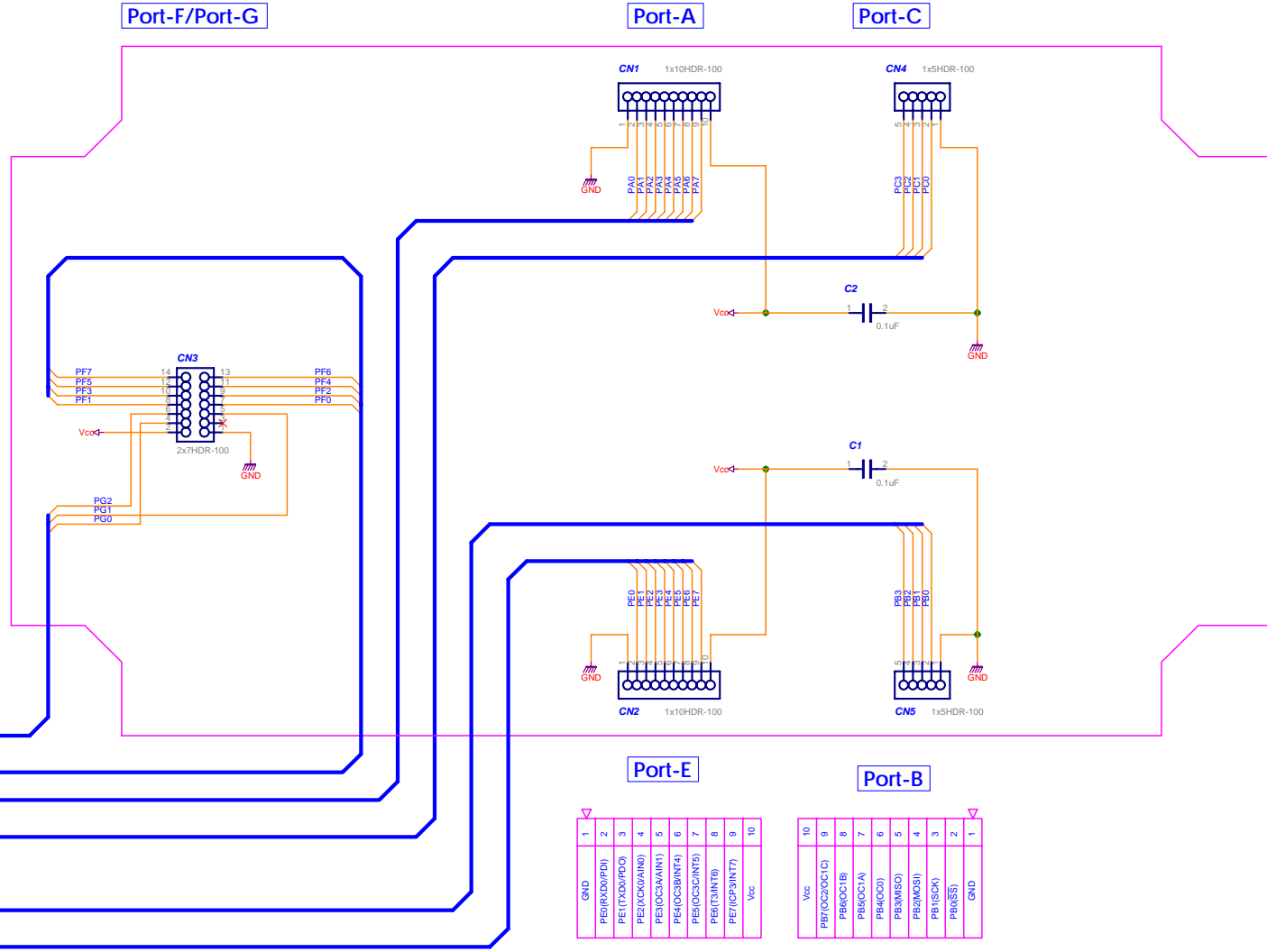
1	GND
2	PA0(AD0)
3	PA1(AD1)
4	PA2(AD2)
5	PA3(AD3)
6	PA4(AD4)
7	PA5(AD5)
8	PA6(AD6)
9	PA7(AD7)
10	Vcc

10	Vcc
9	PC7(A19)
8	PC6(A14)
7	PC5(A13)
6	PC4(A12)
5	PC3(A11)
4	PC2(A10)
3	PC1(A9)
2	PC0(A8)
1	GND

DB7	14	13	DB6
DB5	12	11	DB4
DB3	10	9	DB2
DB1	8	7	DB0
E	6	5	R/W
PA0	4	3	VADJ
GND/VCC	2	1	VCC/GND

LCD-I/F

- PG[0..2] PORT-G
- PF[0..7] PORT-F
- PA[0..7] PORT-A
- PC[0..7] PORT-C
- PD[0..7] PORT-D
- PB[0..7] PORT-B
- PE[0..7] PORT-E



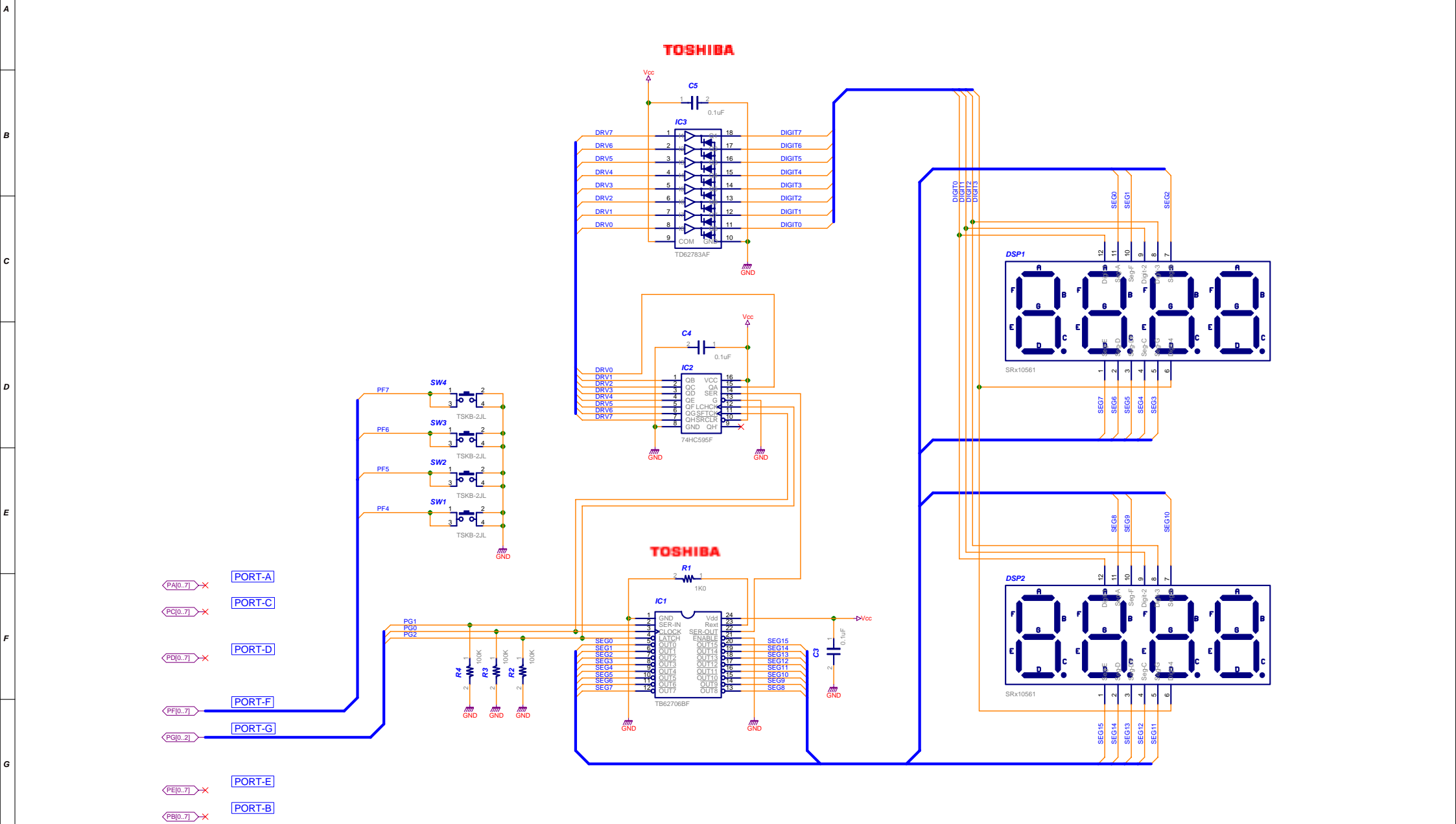
1	GND
2	PE0(RXD/PDI)
3	PE1(TXD/PDO)
4	PE2(XCK/AINO)
5	PE3(OCSA/INT1)
6	PE4(OCSB/INT4)
7	PE5(OCS/INT5)
8	PE6(T3/INT6)
9	PE7(ICP3/INT7)
10	Vcc

10	Vcc
9	PB7(GZ/OCC)
8	PB6(OCTB)
7	PB5(OCTA)
6	PB4(OCC)
5	PB3(MISO)
4	PB2(MOSI)
3	PB1(SCK)
2	PB0(SS)
1	GND

## NANDethno Pocket Expansion Type-B (1/3)

All trademarks represented in this document are registered by their respective owners.

<b>STUDIO NAND</b>	
<b>Pocket Expansion Type-B</b>	
Creation Date 2011/12/08	
Sheet Size <b>A2</b>	Modified Date 2011/12/08
	<b>A</b>



## NANDethno Pocket Expansion Type-B (2/3)

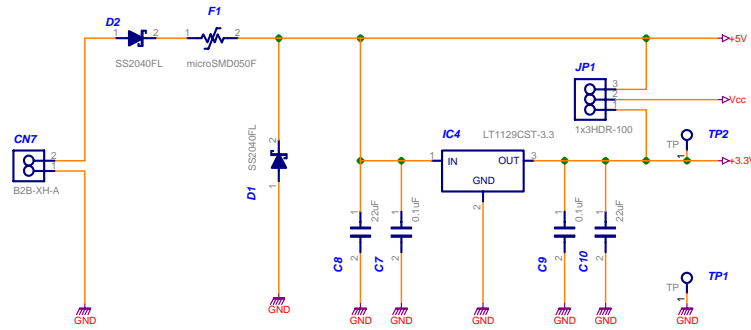
All trademarks represented in this document are registered by their respective owners.

<b>STUDIO NAND</b>	
<b>Pocket Expansion Type-B</b>	
Creation Date 2011/12/08	
Sheet Size <b>A2</b>	Modified Date 2011/12/08
<b>A</b>	

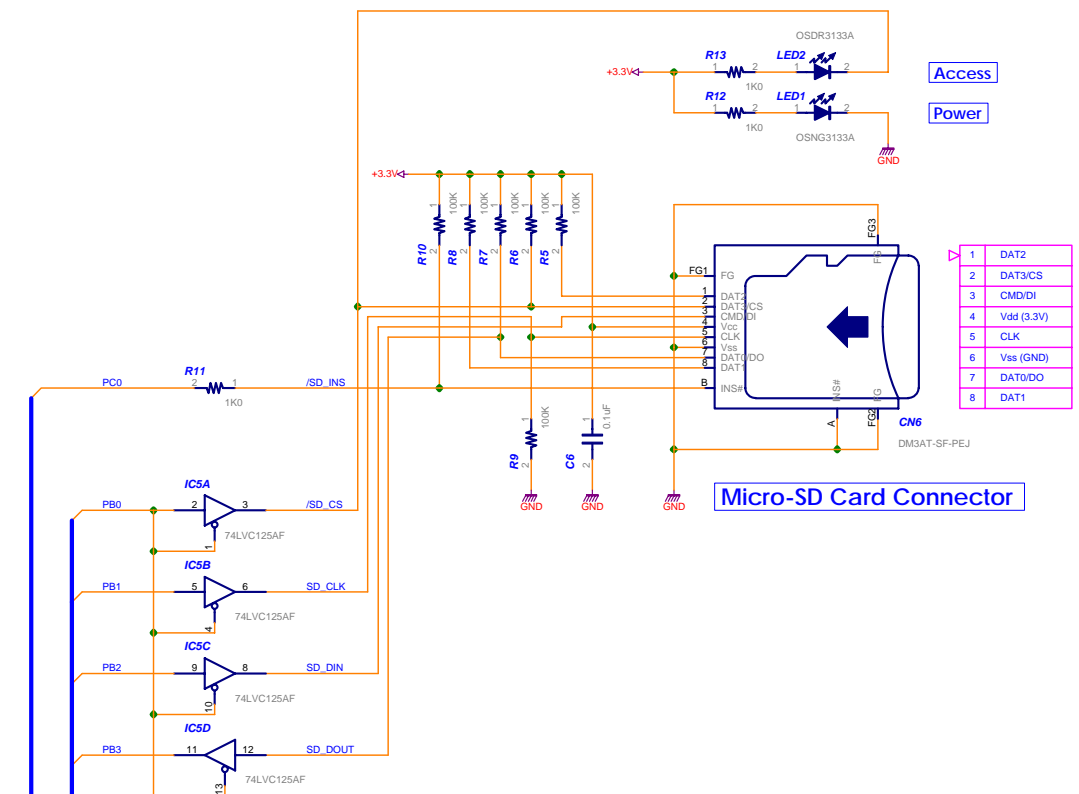
\*\*\* 3.3V LDO Regulator IC Selection Guide \*\*\*

Order Part Number	Dropout Voltage	Output Current	MAX. Input Voltage
LT1129CST-3.3#PBF	400mV	700mA	+/-30V
LT1129IST-3.3#PBF	400mV	700mA	+/-30V
LT1963EST-3.3#PBF	340mV	1.5A	+/-20V
LT1963AEST-3.3#PBF	340mV	1.5A	+/-20V

JP3 Setting	Supply Voltage (Vcc)
	5V (USBPWR) 3.3V Reg. required
	3.3V 3.3V Reg. not required



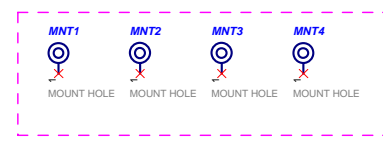
- <PG[0..7]> X PORT-G
- <PF[0..7]> X PORT-F
- <PA[0..7]> X PORT-A
- <PC[0..7]> X PORT-C
- <PD[0..7]> X PORT-D
- <PE[0..7]> X PORT-E
- <PB[0..7]> X PORT-B



Access  
Power

1	DAT2
2	DAT3/CS
3	CMD/DI
4	Vdd (3.3V)
5	CLK
6	Vss (GND)
7	DAT0/DO
8	DAT1

Micro-SD Card Connector



Mounting Holes



# NANDethno Pocket Expansion Type-B (3/3)

All trademarks represented in this document are registered by their respective owners.

<b>STUDIO NAND</b>	
<b>Pocket Expansion Type-B</b>	
Creation Date 2011/12/08	
Sheet Size <b>A2</b>	Modified Date 2011/12/08
	<b>A</b>