

This document is released under the Creative Commons Attribution-NonCommercial-ShareAlike 3.0 License. (CC BY-NC-SA 3.0)

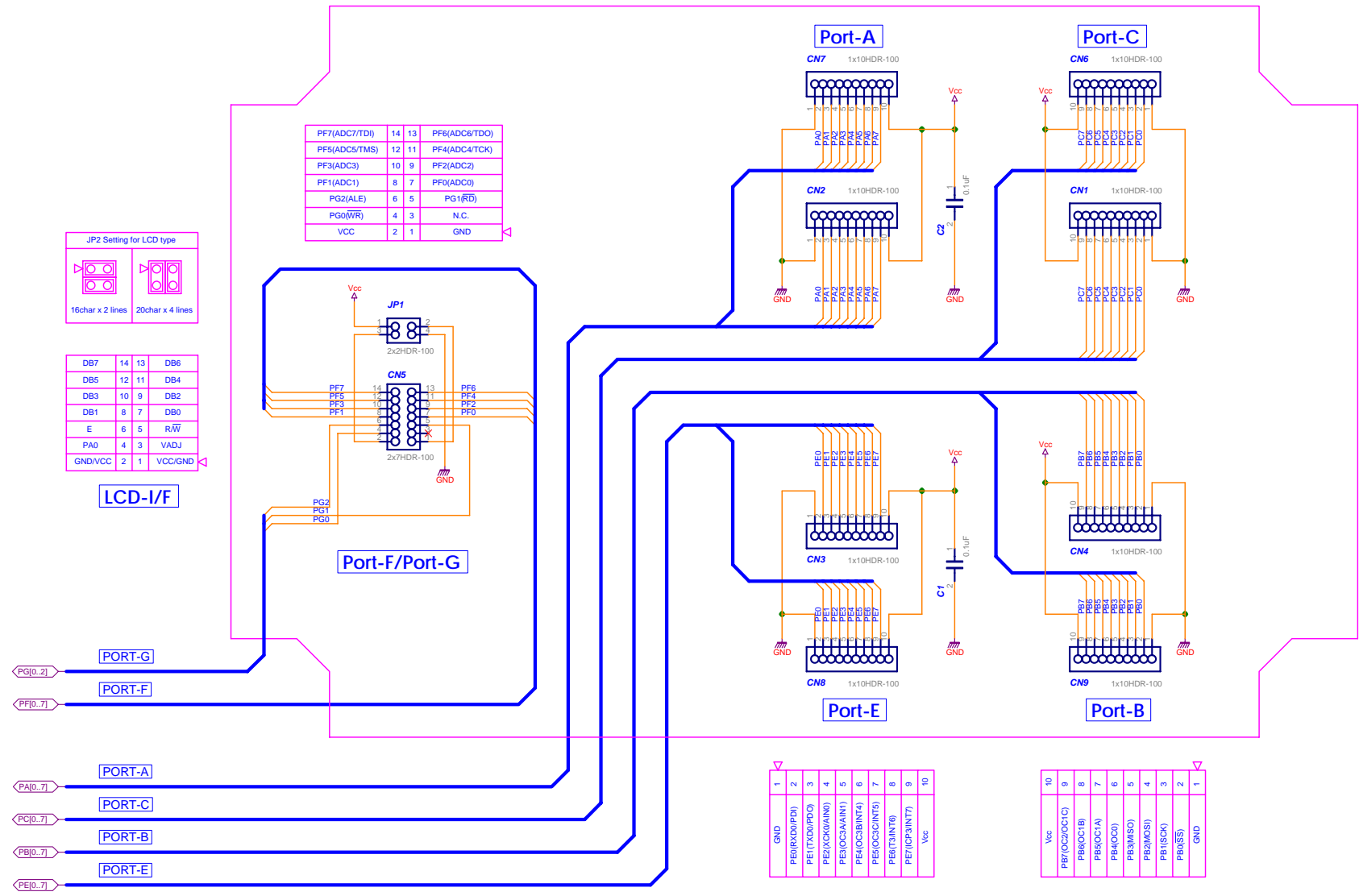
To view a copy of this license, visit web site [<http://creativecommons.org/licenses/by-nc-sa/3.0/>] Or, send a letter to Creative Commons, 444 Castro Street, Suite 900, Mountain View, California, 94041, USA.

Copyright (C) reserved 2011, Studio NAND (Dairyo Gokan). Website: <http://www.studio-nand.com/>

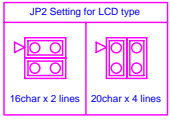
NANDethno Pocket Expansion Type-D (ALL)

All trademarks represented in this document are registered by their respective owners.

STUDIO NAND		NAND
Pocket Expansion Type-D		
Creation Date	2011/12/08	
Sheet Size A2	Modified Date	2011/12/08
		A

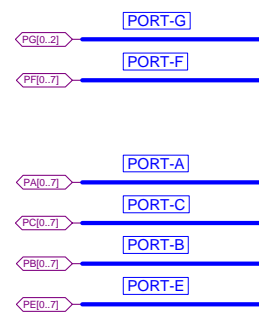


PF7(ADC7/TDI)	14	13	PF6(ADC6/TDO)
PF5(ADC5/TMS)	12	11	PF4(ADC4/TCK)
PF3(ADC3)	10	9	PF2(ADC2)
PF1(ADC1)	8	7	PF0(ADC0)
PG2(ALE)	6	5	PG1(RD)
PG0(WR)	4	3	N.C.
VCC	2	1	GND



DB7	14	13	DB6
DB5	12	11	DB4
DB3	10	9	DB2
DB1	8	7	DB0
E	6	5	R/W
PA0	4	3	VADJ
GND/VCC	2	1	VCC/GND

LCD-I/F



GND	1
PA0(AD0)	2
PA1(AD1)	3
PA2(AD2)	4
PA3(AD3)	5
PA4(AD4)	6
PA5(AD5)	7
PA6(AD6)	8
PA7(AD7)	9
Vcc	10

Vcc	9
PC7(A15)	8
PC6(A14)	7
PC5(A13)	6
PC4(A12)	5
PC3(A11)	4
PC2(A10)	3
PC1(A9)	2
PC0(A8)	1
GND	10

GND	1
PE0(RXD0/PD0)	2
PE1(TXD0/PD0)	3
PE2(RXD0/PD0)	4
PE3(CS0/AN0)	5
PE4(CS0/AN1)	6
PE5(CS0/AN1)	7
PE6(TANT0)	8
PE7(CP3/INT7)	9
Vcc	10

Vcc	10
PB7(CZ0/C0C)	9
PB6(OCT0)	8
PB5(OCT1)	7
PB4(OCT2)	6
PB3(MS0)	5
PB2(MS1)	4
PB1(SCK)	3
PB0(SS)	2
GND	1

NANDethno Pocket Expansion Type-D (1/2)

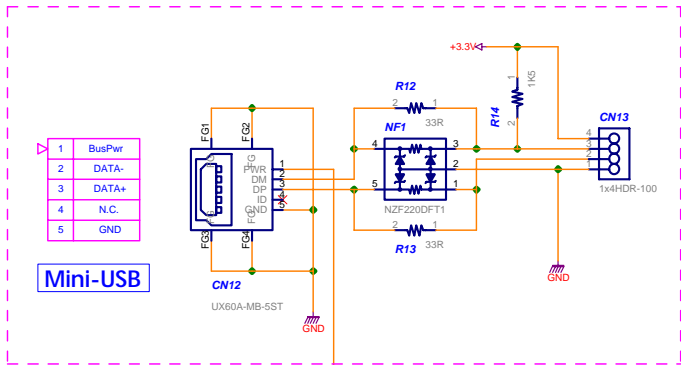
All trademarks represented in this document are registered by their respective owners.

STUDIO NAND

Pocket Expansion Type-D

Creation Date 2011/12/08

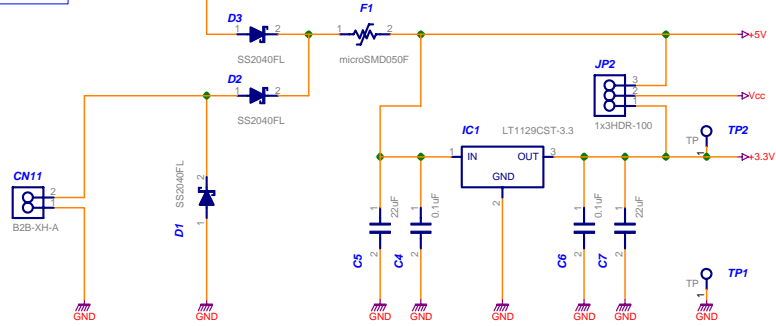
Sheet Size A2 Modified Date 2011/12/08 A



Mini-USB

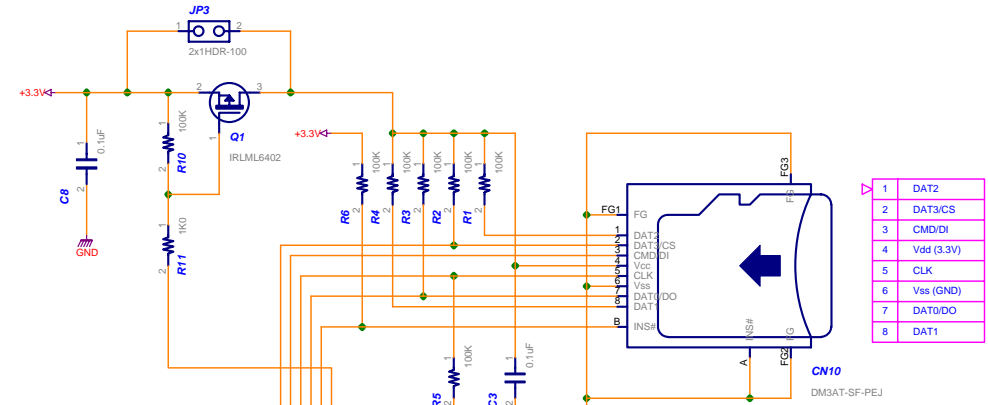
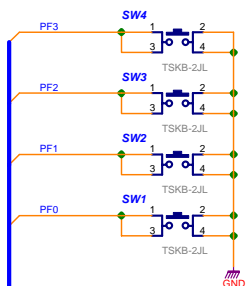
JP3 Setting	Supply Voltage (Vcc)
	5V (USBPWR) 3.3V Reg. required
	3.3V 3.3V Reg. not required

Ready for VUSB



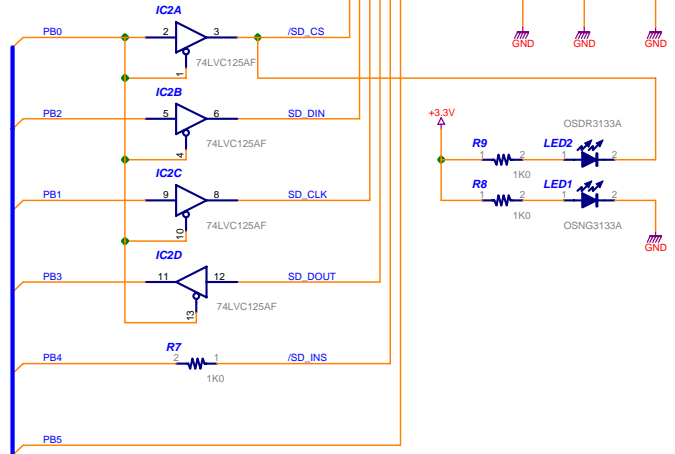
*** 3.3V LDO Regulator IC Selection Guide ***

Order Part Number	Dropout Voltage	Output Current	MAX. Input Voltage
LT1129CST-3.3#PBF	400mV	700mA	+/-30V
LT1129IST-3.3#PBF	400mV	700mA	+/-30V
LT11963EST-3.3#PBF	340mV	1.5A	+/-20V
LT11963AEST-3.3#PBF	340mV	1.5A	+/-20V

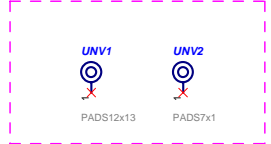


1	DAT2
2	DAT3/CS
3	CMD/DI
4	Vdd (3.3V)
5	CLK
6	Vss (GND)
7	DAT0/DO
8	DAT1

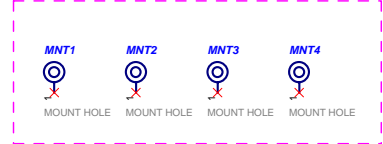
Micro-SD Card Connector



Access
Power



Universal Pads Area



Mounting Holes



NANDethno Pocket Expansion Type-D (2/2)

All trademarks represented in this document are registered by their respective owners.

STUDIO NAND		
Pocket Expansion Type-D		
Creation Date 2011/12/08		
Sheet Size A2	Modified Date 2011/12/08	A