

This document is released under the Creative Commons Attribution-NonCommercial-ShareAlike 3.0 License. (CC BY-NC-SA 3.0)

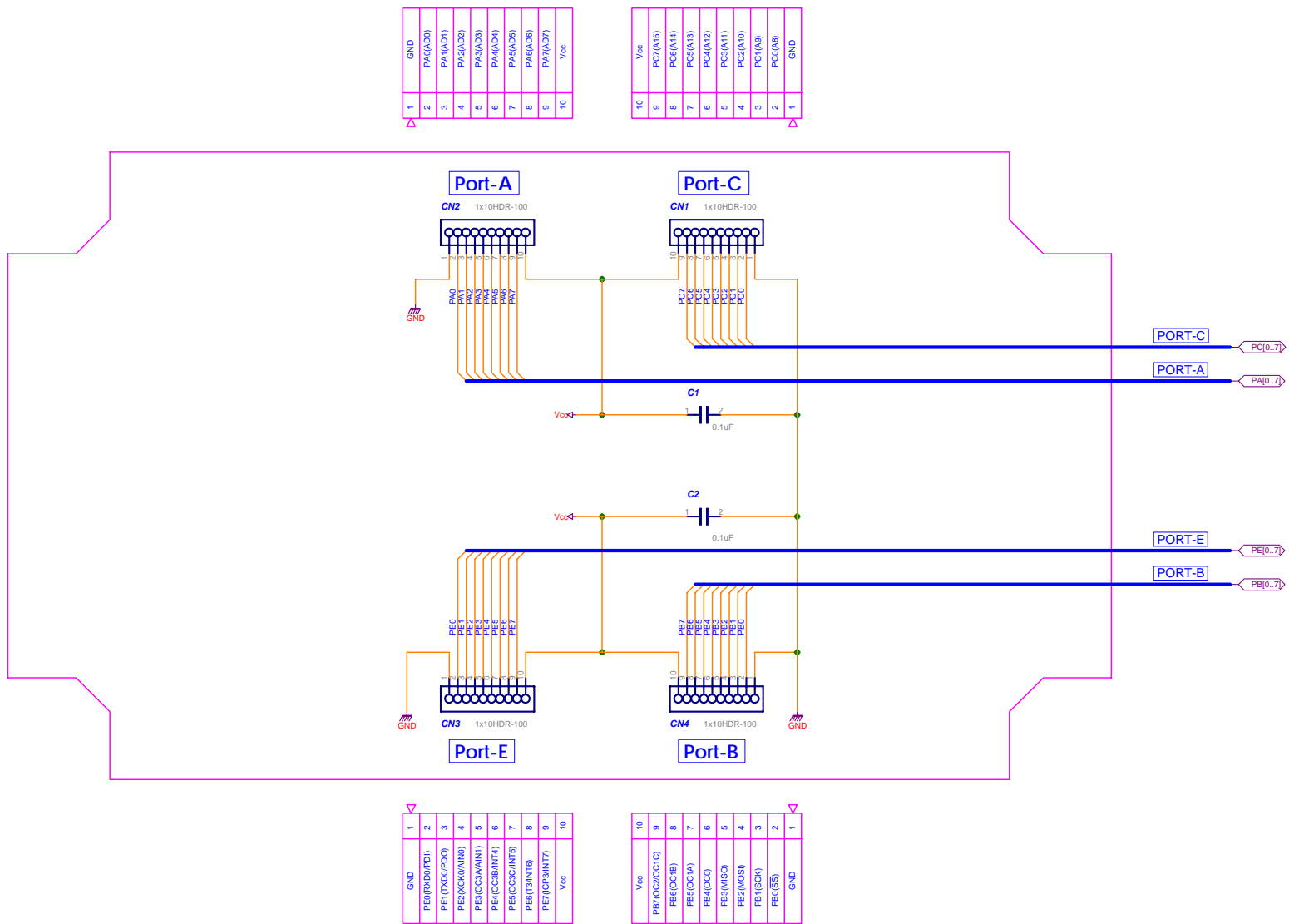
To view a copy of this license, visit web site [<http://creativecommons.org/licenses/by-nc-sa/3.0/>] Or, send a letter to Creative Commons, 444 Castro Street, Suite 900, Mountain View, California, 94041, USA.

Copyright (C) reserved 2011, Studio NAND (Dairyo Gokan). Website: <http://www.studio-nand.com/>

All trademarks represented in this document are registered by their respective owners.

NANDethno Pocket Expansion Type-G (ALL)

| | |
|--|--------------------------|
| STUDIO NAND  | |
| Pocket Expansion Type-G | |
| Creation Date 2011/12/08 | |
| Sheet Size A2 | Modified Date 2011/12/08 |
| | A |



| | |
|----|----------|
| 1 | GND |
| 2 | PA0(A00) |
| 3 | PA1(A01) |
| 4 | PA2(A02) |
| 5 | PA3(A03) |
| 6 | PA4(A04) |
| 7 | PA5(A05) |
| 8 | PA6(A06) |
| 9 | PA7(A07) |
| 10 | Vcc |

| | |
|----|----------|
| 10 | Vcc |
| 9 | PC7(A15) |
| 8 | PC6(A14) |
| 7 | PC5(A13) |
| 6 | PC4(A12) |
| 5 | PC3(A11) |
| 4 | PC2(A10) |
| 3 | PC1(A9) |
| 2 | PC0(A8) |
| 1 | GND |

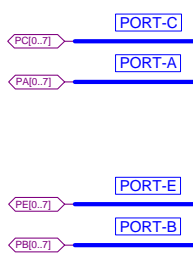
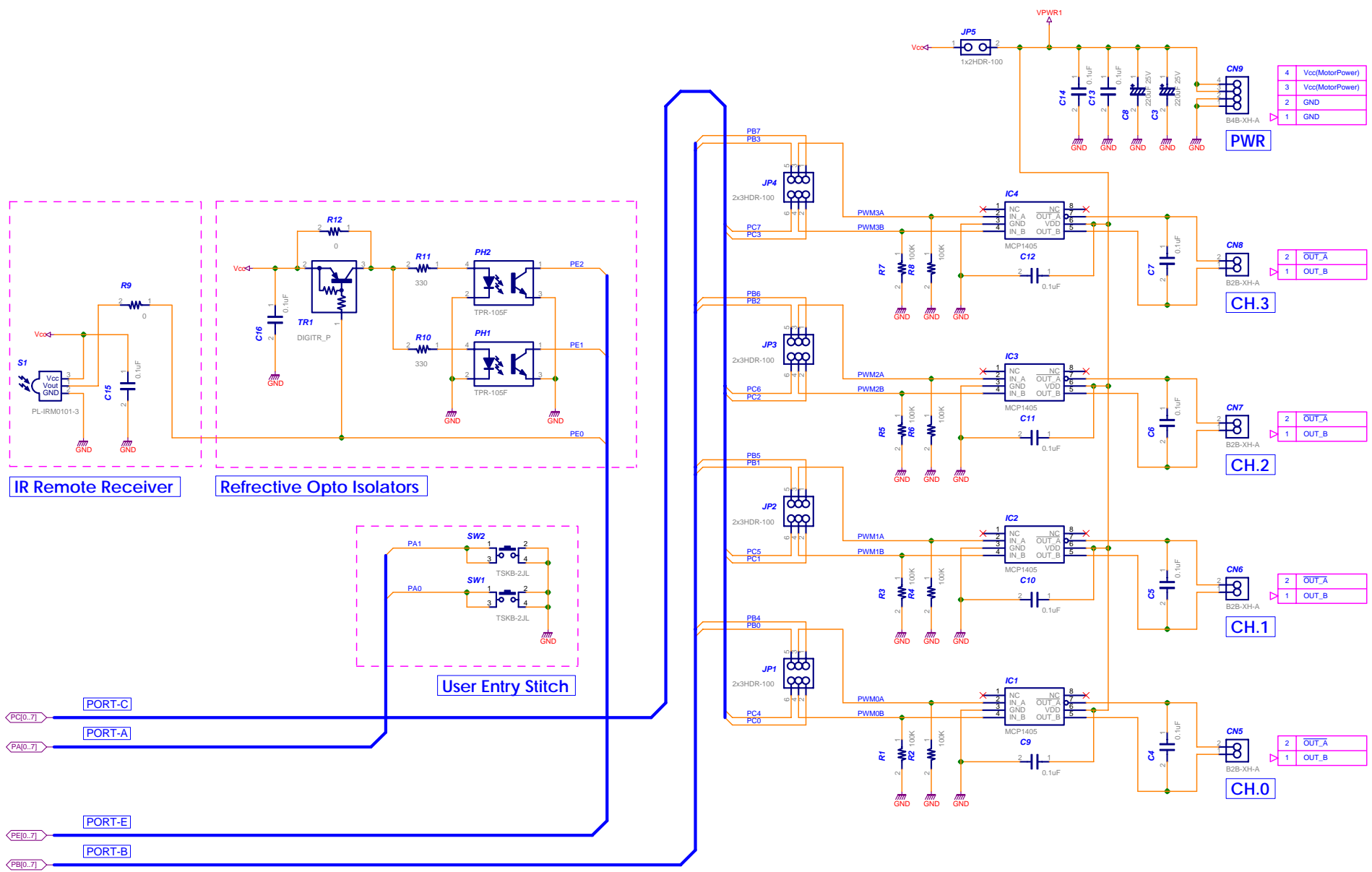
| | |
|----|----------------|
| 1 | GND |
| 2 | PE0(RX0/PD1) |
| 3 | PE1(TXD/PRD) |
| 4 | PE2(RCK/AIN0) |
| 5 | PE3(OC3/AIN1) |
| 6 | PE4(OC3B/INT4) |
| 7 | PE5(OC3C/INT5) |
| 8 | PE6(TX/INT6) |
| 9 | PE7(ICP3/INT7) |
| 10 | Vcc |

| | |
|----|---------------|
| 10 | Vcc |
| 9 | PB7(OC2/OC1C) |
| 8 | PB6(OC1B) |
| 7 | PB5(OC1A) |
| 6 | PB4(OC0) |
| 5 | PB3(MISO) |
| 4 | PB2(MOSI) |
| 3 | PB1(SCK) |
| 2 | PB0(SS) |
| 1 | GND |

NANDethno Pocket Expansion Type-G (1/3)

All trademarks represented in this document are registered by their respective owners.

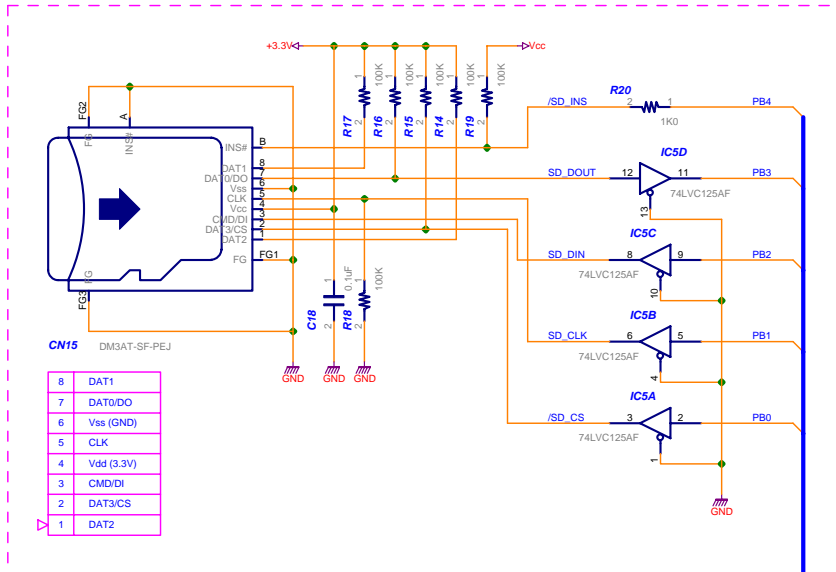
| | |
|--------------------------------|--------------------------|
| STUDIO NAND | |
| Pocket Expansion Type-G | |
| Creation Date 2011/12/08 | |
| Sheet Size A2 | Modified Date 2011/12/08 |
| A | |



NANDethno Pocket Expansion Type-G (2/3)

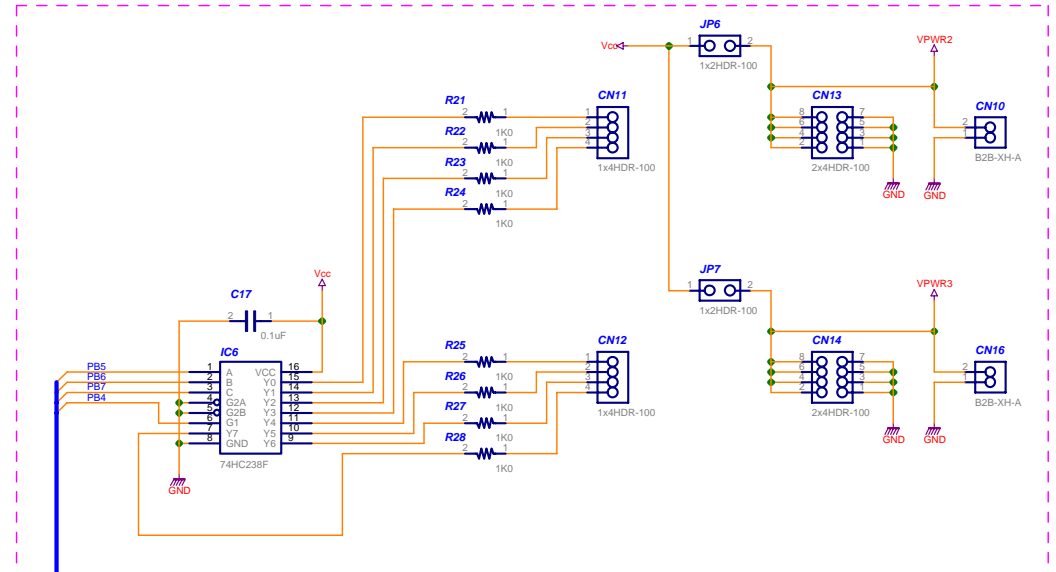
All trademarks represented in this document are registered by their respective owners.

| | |
|--------------------------------|--------------------------|
| STUDIO NAND | |
| Pocket Expansion Type-G | |
| Creation Date 2011/12/08 | |
| Sheet Size A2 | Modified Date 2011/12/08 |

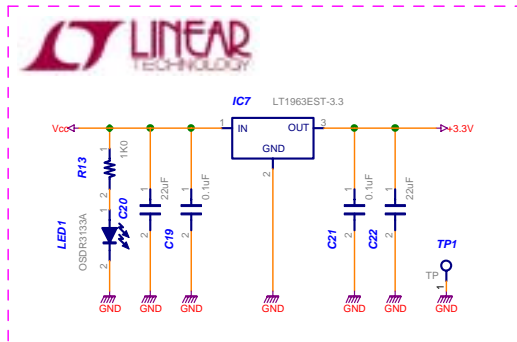


Micro-SD Card Connector

| | |
|---|------------|
| 8 | DAT1 |
| 7 | DAT0/DO |
| 6 | Vss (GND) |
| 5 | CLK |
| 4 | Vdd (3.3V) |
| 3 | CMO/DI |
| 2 | DAT3/CS |
| 1 | DAT2 |



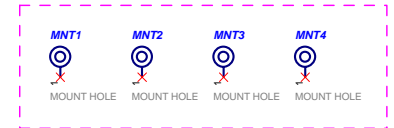
8-ch. RC Servo Motor Control



3.3V LDO Regulator

*** 3.3V LDO Regulator IC Selection Guide ***

| Order Part Number | Dropout Voltage | Output Current | MAX. Input Voltage |
|--------------------|-----------------|----------------|--------------------|
| LT1129CST-3.3#PBF | 400mV | 700mA | +/-30V |
| LT1129IST-3.3#PBF | 400mV | 700mA | +/-30V |
| LT1963EST-3.3#PBF | 340mV | 1.5A | +/-20V |
| LT1963AEST-3.3#PBF | 340mV | 1.5A | +/-20V |



Mounting Holes



NANDethno Pocket Expansion Type-G (3/3)

| | | |
|--------------------------------|--------------------------|----------|
| STUDIO NAND | | |
| Pocket Expansion Type-G | | |
| Creation Date 2011/12/08 | | |
| Sheet Size A2 | Modified Date 2011/12/08 | A |