

This document is released under the Creative Commons Attribution-NonCommercial-ShareAlike 3.0 License. (CC BY-NC-SA 3.0)

To view a copy of this license, visit web site [ <http://creativecommons.org/licenses/by-nc-sa/3.0/> ] Or, send a letter to Creative Commons, 444 Castro Street, Suite 900, Mountain View, California, 94041, USA.

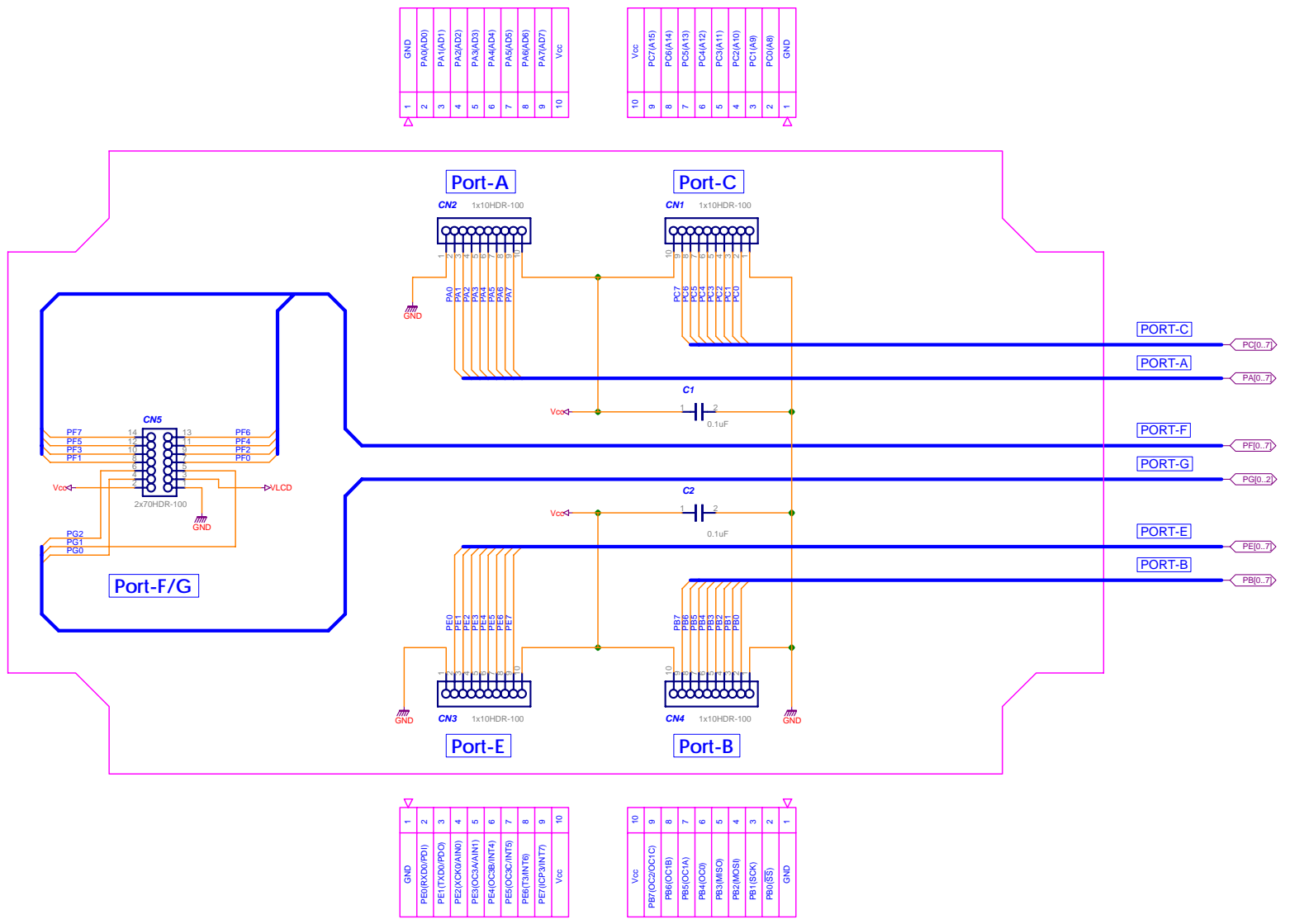
Copyright (C) reserved 2011, Studio NAND (Dairyo Gokan). Website: <http://www.studio-nand.com/>

All trademarks represented in this document are registered by their respective owners.

# NANDethno Pocket Expansion Type-H (ALL)

<b>STUDIO NAND</b>		<b>NAND</b>
<b>Pocket Expansion Type-H</b>		
Creation Date		2011/12/08
Sheet Size	A2	Modified Date
		2011/12/08
		A

PF7(ADC7/TDI)	14	13	PF8(ADC6/TDO)
PF5(ADC5/TMS)	12	11	PF4(ADC4/TCK)
PF3(ADC3)	10	9	PF2(ADC2)
PF1(ADC1)	8	7	PF0(ADC0)
PG2(ALE)	6	5	PG1(RD)
PG0(WR)	4	3	LCD BIAS
VCC	2	1	GND



1	GND
2	PA0(A00)
3	PA1(A01)
4	PA2(A02)
5	PA3(A03)
6	PA4(A04)
7	PA5(A05)
8	PA6(A06)
9	PA7(A07)
10	Vcc

10	Vcc
9	PC7(A15)
8	PC6(A14)
7	PC5(A13)
6	PC4(A12)
5	PC3(A11)
4	PC2(A10)
3	PC1(A9)
2	PC0(A8)
1	GND

1	GND
2	PE0(RXD0/PDI)
3	PE1(TXD0/PDO)
4	PE2(XCK/AIN0)
5	PE3(OC3/AIN1)
6	PE4(OC3B/INT4)
7	PE5(OC2/INT5)
8	PE6(T3/INT6)
9	PE7(ICP3/INT7)
10	Vcc

10	Vcc
9	PB7(OC2/OC1C)
8	PB6(OC1B)
7	PB5(OC1A)
6	PB4(OC0)
5	PB3(MISO)
4	PB2(MOSI)
3	PB1(SCK)
2	PB0(SS)
1	GND

# NANDethno Pocket Expansion Type-H (1/3)

All trademarks represented in this document are registered by their respective owners.

**STUDIO NAND**

**Pocket Expansion Type-H**

Creation Date 2011/12/08

Sheet Size <b>A2</b>	Modified Date 2011/12/08	<b>A</b>
----------------------	--------------------------	----------



