

This document is released under the Creative Commons Attribution-NonCommercial-ShareAlike 3.0 License. (CC BY-NC-SA 3.0)

To view a copy of this license, visit web site [<http://creativecommons.org/licenses/by-nc-sa/3.0/>] Or, send a letter to Creative Commons, 444 Castro Street, Suite 900, Mountain View, California, 94041, USA.

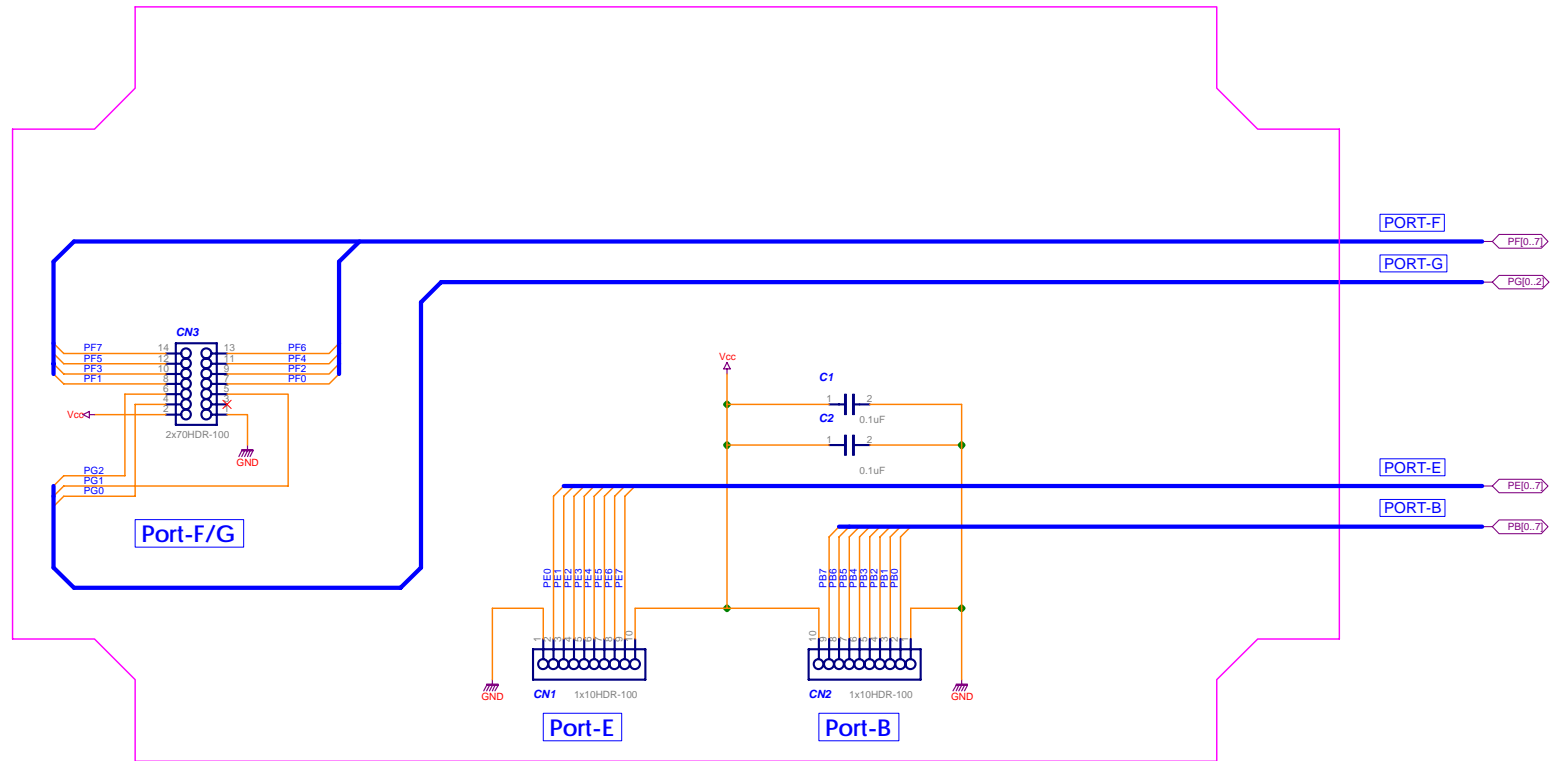
Copyright (C) reserved 2011, Studio NAND (Dairyo Gokan). Website: <http://www.studio-nand.com/>

All trademarks represented in this document are registered by their respective owners.

NANDethno Pocket Expansion Type-L (ALL)

STUDIO NAND		NAND
Pocket Expansion Type-L		
Creation Date	2011/12/08	
Sheet Size A2	Modified Date	2011/12/08
		A

PF7(ADC7/TDI)	14	13	PF8(ADC6/TDO)
PF5(ADC5/TMS)	12	11	PF4(ADC4/TCK)
PF3(ADC3)	10	9	PF2(ADC2)
PF1(ADC1)	8	7	PF0(ADC0)
PG2(ALE)	6	5	PG1(RD)
PG0(WR)	4	3	N.C.
VCC	2	1	GND



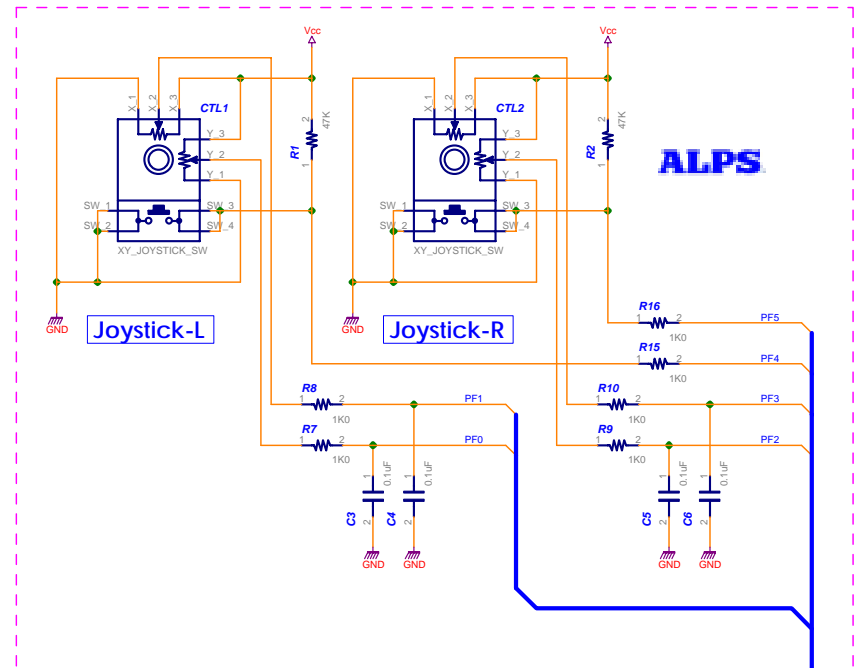
GND	1
PE0(RXD0/PDI)	2
PE1(TXD0/PPDO)	3
PE2(XCK/AIN0)	4
PE3(OC3/AINT1)	5
PE4(OC3B/INT4)	6
PE5(OC3C/INT5)	7
PE6(T3/INT6)	8
PE7(ICP3/INT7)	9
Vcc	10

Vcc	10
PB7(OC2/OC1C)	9
PB6(OC1B)	8
PB5(OC1A)	7
PB4(OC0)	6
PB3(MISO)	5
PB2(MOSI)	4
PB1(SCK)	3
PB0(SS)	2
GND	1

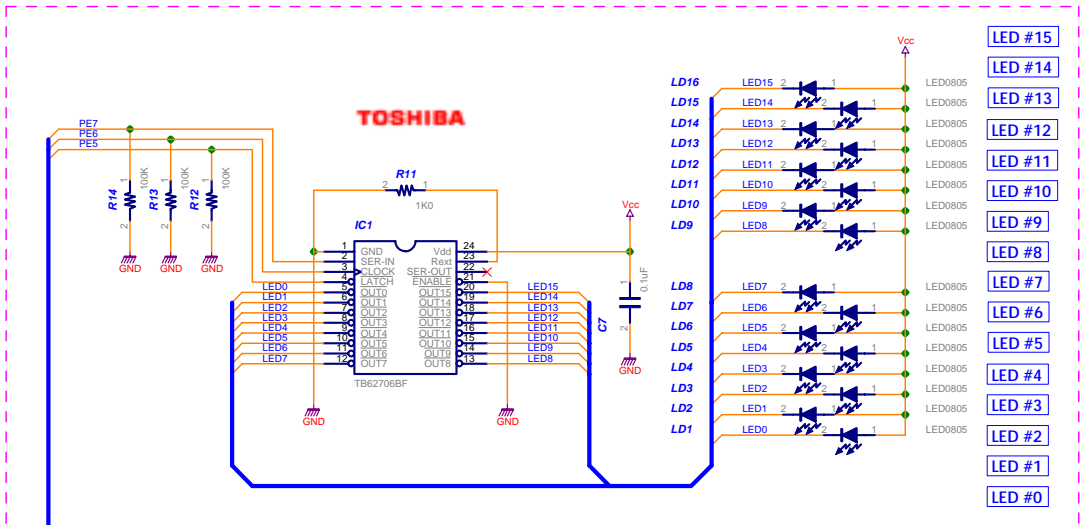
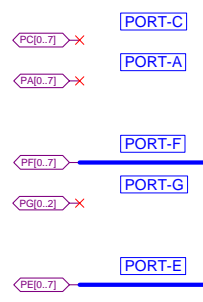
All trademarks represented in this document are registered by their respective owners.

NANDethno Pocket Expansion Type-L (1/3)

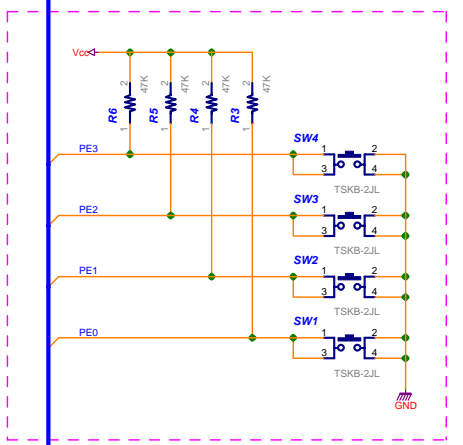
STUDIO NAND		NAND
Pocket Expansion Type-L		
Creation Date		2011/12/08
Sheet Size A2	Modified Date	2011/12/08
		A



Twin Analog Joystick



16 LEDs Indicator

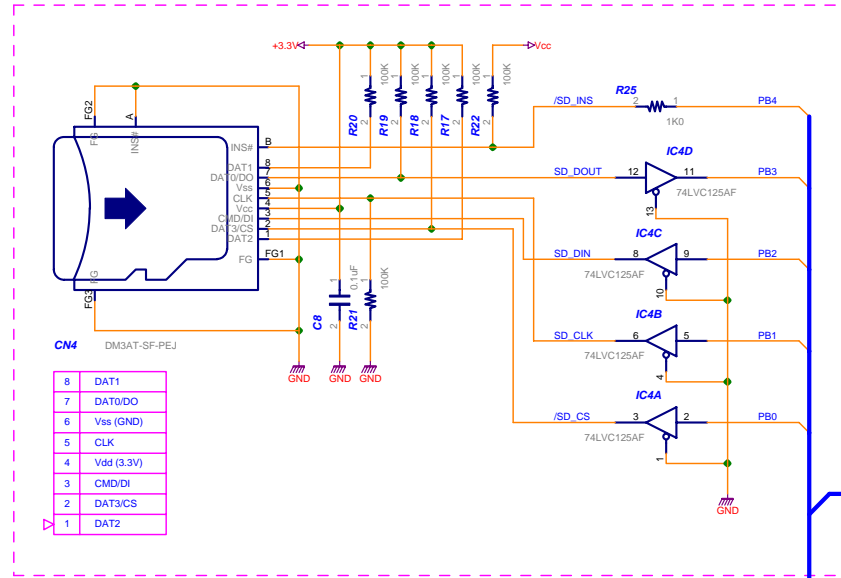


4 User Entry Switch

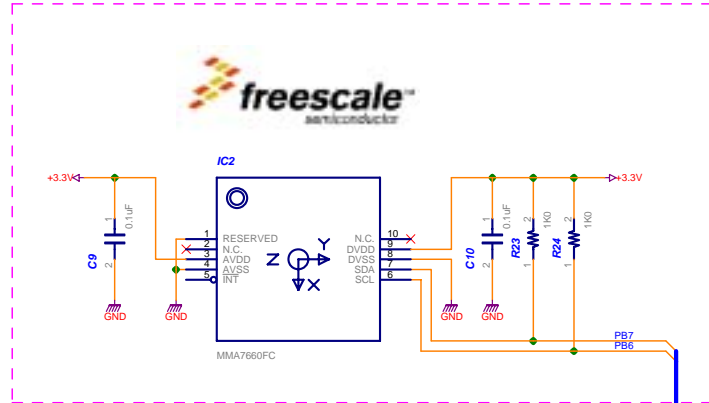
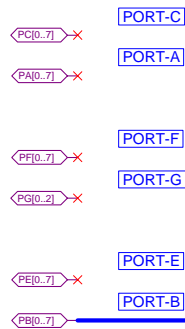
NANDethno Pocket Expansion Type-L (2/3)

All trademarks represented in this document are registered by their respective owners.

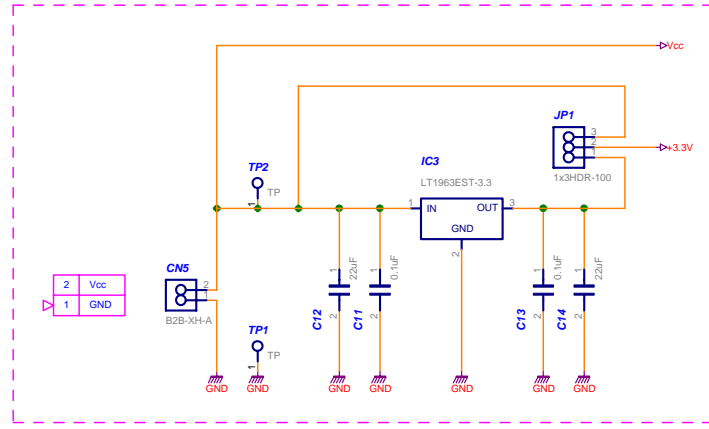
STUDIO NAND		NAND
Pocket Expansion Type-L		
Creation Date		2011/12/08
Sheet Size	A2	Modified Date
2011/12/08		A



Micro-SD Card Connector



3-Axis, Orientation/Motion Detection Sensor



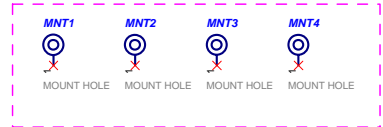
3.3V LDO Regulator (for Vcc >+3.3V)

JP2 Setting	Supply Voltage (Vcc)
	5V 3.3V Reg. required
	3.3V 3.3V Reg. not required

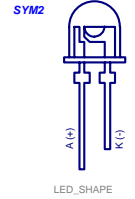


*** 3.3V LDO Regulator IC Selection Guide ***

Order Part Number	Dropout Voltage	Output Current	MAX. Input Voltage
LT1129CST-3.3#PBF	400mV	700mA	+/-30V
LT1129IST-3.3#PBF	400mV	700mA	+/-30V
LT1963EST-3.3#PBF	340mV	1.5A	+/-20V
LT1963AEST-3.3#PBF	340mV	1.5A	+/-20V



Mounting Holes



NANDethno Pocket Expansion Type-L (3/3)

All trademarks represented in this document are registered by their respective owners.

STUDIO NAND		
Pocket Expansion Type-L		
Creation Date		2011/12/08
Sheet Size A2	Modified Date	2011/12/08
		A