

This document is released under the Creative Commons Attribution-NonCommercial-ShareAlike 3.0 License. (CC BY-NC-SA 3.0)

To view a copy of this license, visit web site [ <http://creativecommons.org/licenses/by-nc-sa/3.0/> ] Or, send a letter to Creative Commons, 444 Castro Street, Suite 900, Mountain View, California, 94041, USA.

Copyright (C) reserved 2011, Studio NAND (Dairyo Gokan). Website: <http://www.studio-nand.com/>

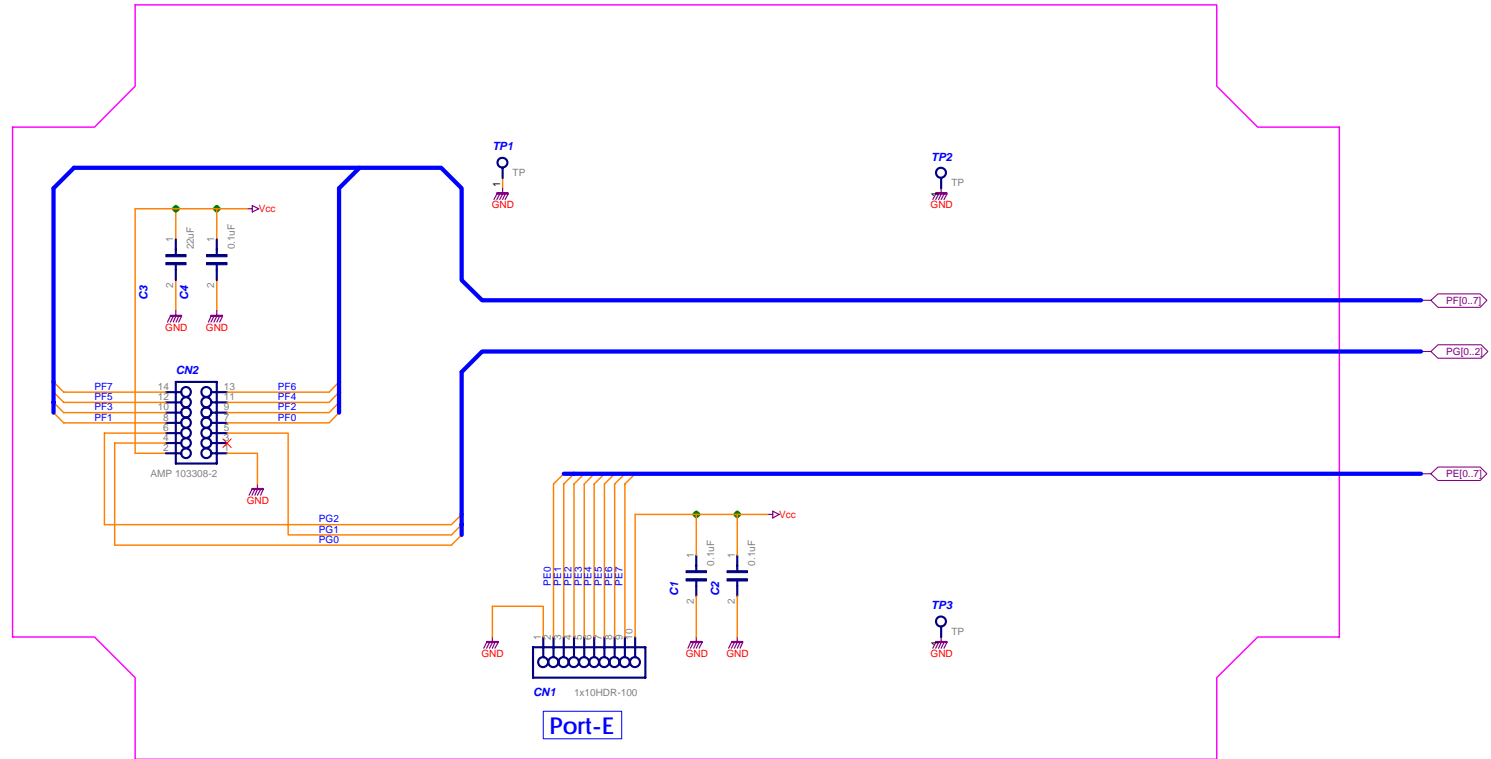
All trademarks represented in this document are registered by their respective owners.

# NANDethno Pocket Expansion Type-M (ALL)

<b>STUDIO NAND</b>		<b>NAND</b>
<b>Pocket Expansion Type-M</b>		
Creation Date	2011/12/08	
Sheet Size <b>A2</b>	Modified Date	2011/12/08
		<b>A</b>

PF7(ADC7/TDI)	14	13	PF6(ADC6/TDO)
PF5(ADC5/TMS)	12	11	PF4(ADC4/TCK)
PF3(ADC3)	10	9	PF2(ADC2)
PF1(ADC1)	8	7	PF0(ADC0)
PG2(ALE)	6	5	PG1(RD)
PG0(WR)	4	3	N.C.
VCC	2	1	GND

PF7	14	13	PF6
PF5	12	11	PF4
PF3	10	9	PF2
PF1	8	7	PF0
PG2	6	5	PG1
PG0	4	3	N.C.
VCC	2	1	GND



DB7	14	13	DB6
DB5	12	11	DB4
DB3	10	9	DB2
DB1	8	7	DB0
E	6	5	R/W
PA0	4	3	VADJ
VCC/GND	2	1	GND/VCC

LCD-I/F

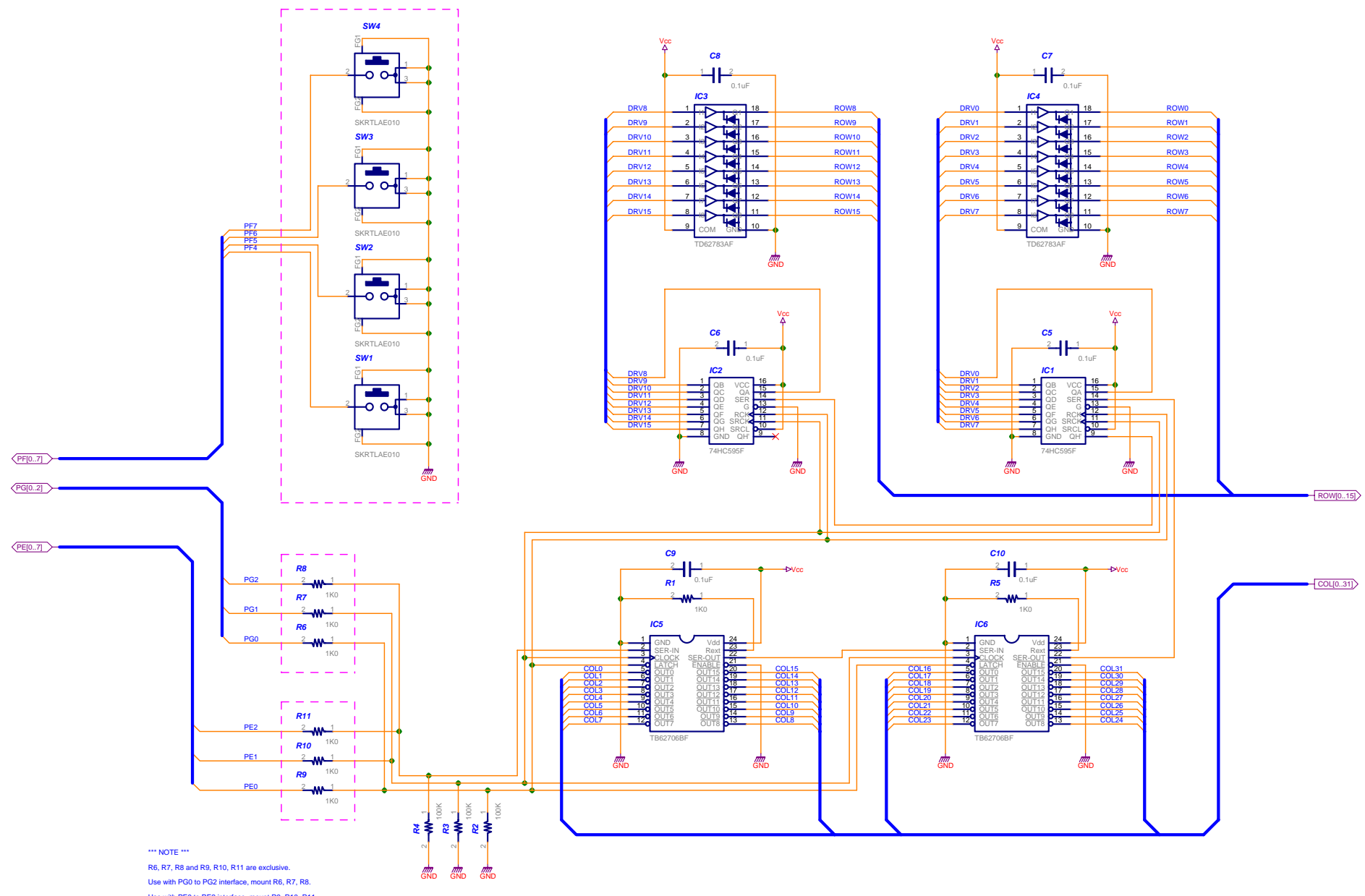
GND	1	10
PE0(RXD0/PDI)	2	
PE1(TXD0/PDO)	3	
PE2(RCK/AIN0)	4	
PE3(OC3/AIN1)	5	
PE4(OC3B/INT4)	6	
PE5(OC2/INT5)	7	
PE6(TS/INT6)	8	
PE7(ICP3/INT7)	9	
Vcc		

Vcc	10	
PE7(OC2/OC1C)	9	
PE6(OC1B)	8	
PE5(OC1A)	7	
PE4(OC0)	6	
PE3(MISO)	5	
PE2(MOSI)	4	
PE1(SCK)	3	
PE0(SS)	2	
GND	1	

All trademarks represented in this document are registered by their respective owners.

## NANDethno Pocket Expansion Type-M (1/3)

<b>STUDIO NAND</b>		<b>NAND</b>	
<b>Pocket Expansion Type-M</b>			
Creation Date		2011/12/08	
Sheet Size	A2	Modified Date	2011/12/08
			A

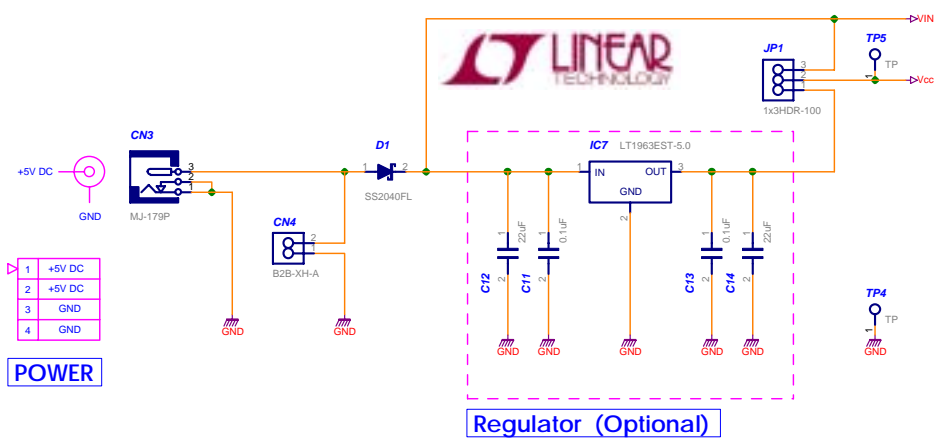
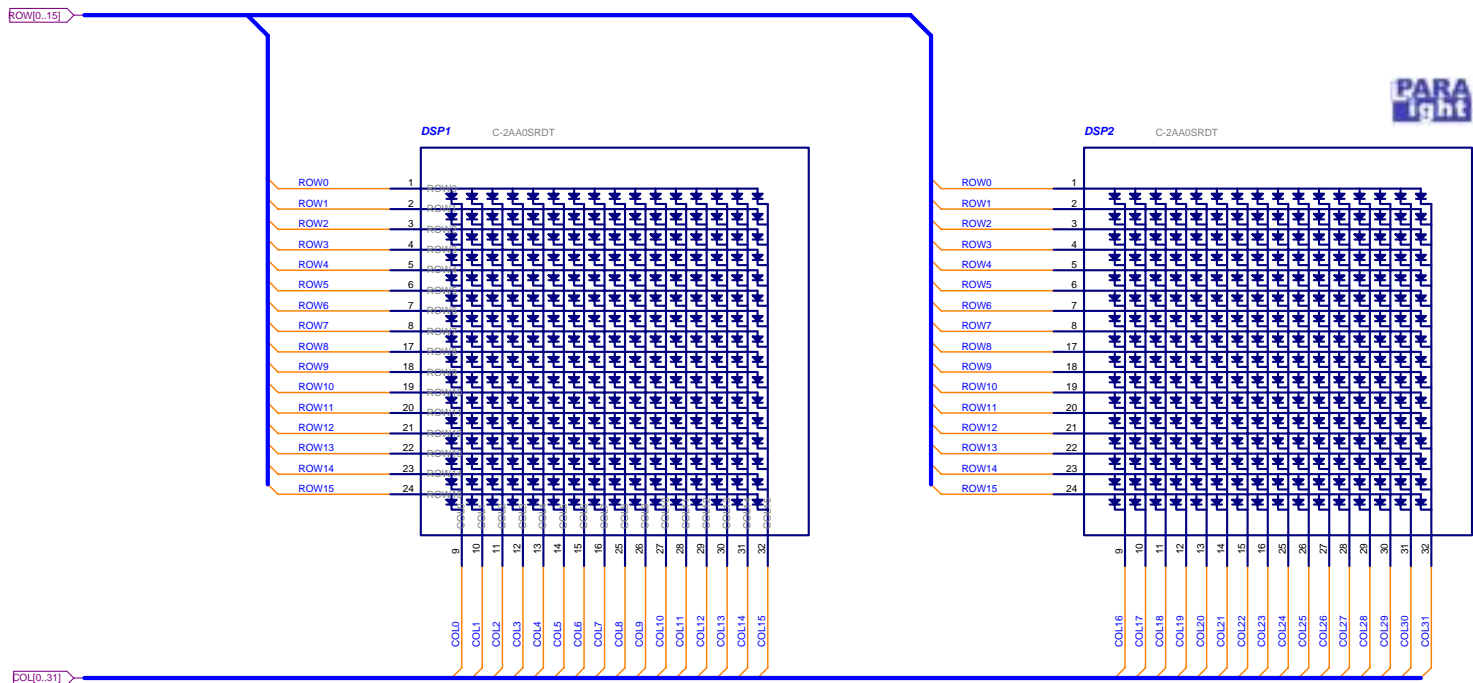


\*\*\* NOTE \*\*\*  
 R6, R7, R8 and R9, R10, R11 are exclusive.  
 Use with PG0 to PG2 interface, mount R6, R7, R8.  
 Use with PE0 to PE2 interface, mount R9, R10, R11.

# NANDethno Pocket Expansion Type-M (2/3)

All trademarks represented in this document are registered by their respective owners.

<b>STUDIO NAND</b>	
<b>Pocket Expansion Type-M</b>	
Creation Date	2011/12/08
Sheet Size <b>A2</b>	Modified Date 2011/12/08
	<b>A</b>



JP1 Setting	Supply Voltage (Vcc)
	5V (USBPWR) 3.3V Reg. required
	3.3V 3.3V Reg. not required

\*\*\* 3.3V LDO Regulator IC Selection Guide \*\*\*

Order Part Number	Dropout Voltage	Output Current	MAX. Input Voltage
LT1129CST-3.3#PBF	400mV	700mA	+/-30V
LT1129IST-3.3#PBF	400mV	700mA	+/-30V
LT1963EST-3.3#PBF	340mV	1.5A	+/-20V
LT1963AEST-3.3#PBF	340mV	1.5A	+/-20V



Mounting Holes



All trademarks represented in this document are registered by their respective owners.

# NANDethno Pocket Expansion Type-M (3/3)

<b>STUDIO NAND</b>	
<b>Pocket Expansion Type-M</b>	
Creation Date 2011/12/08	
Sheet Size <b>A2</b>	Modified Date 2011/12/08
	<b>A</b>