

This document is released under the Creative Commons Attribution-NonCommercial-ShareAlike 3.0 License. (CC BY-NC-SA 3.0)

To view a copy of this license, visit web site [<http://creativecommons.org/licenses/by-nc-sa/3.0/>] Or, send a letter to Creative Commons, 444 Castro Street, Suite 900, Mountain View, California, 94041, USA.

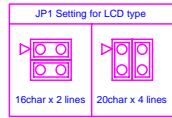
Copyright (C) reserved 2011, Studio NAND (Dairyo Gokan). Website: <http://www.studio-nand.com/>

NANDethno Pocket Expansion Zero (ALL)

[Standard Edition]

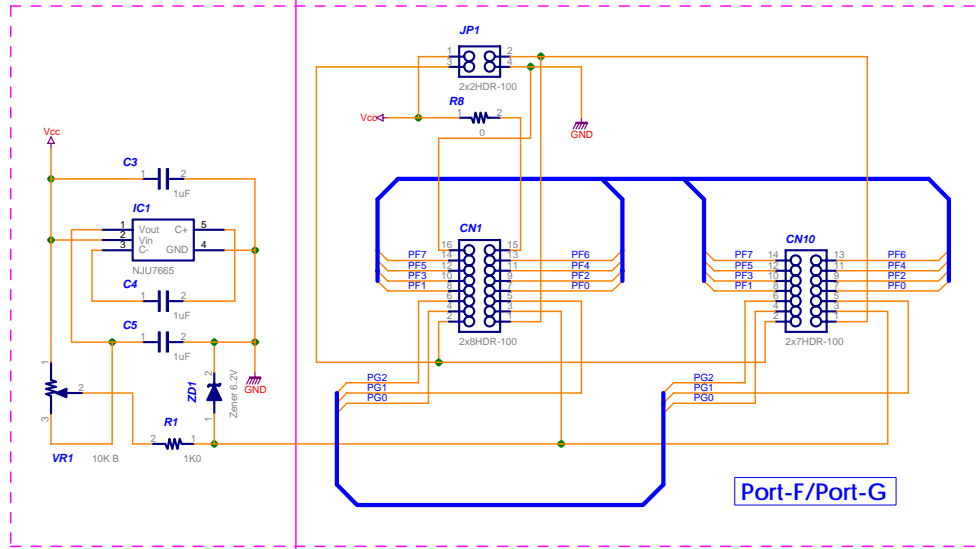
All trademarks represented in this document are registered by their respective owners.

STUDIO NAND		NAND
Pocket Expansion Zero #1		
Creation Date	2011/12/08	
Sheet Size A2	Modified Date	2011/12/08
		A



BLK(-)	16	15	BLA(+)
DB7	14	13	DB6
DB5	12	11	DB4
DB3	10	9	DB2
DB1	8	7	DB0
E	6	5	R/W
PA0	4	3	VADJ
GND/VCC	2	1	VCC/GND

LCD-I/F



Contrast Adj.

DC-DC for LCD bias

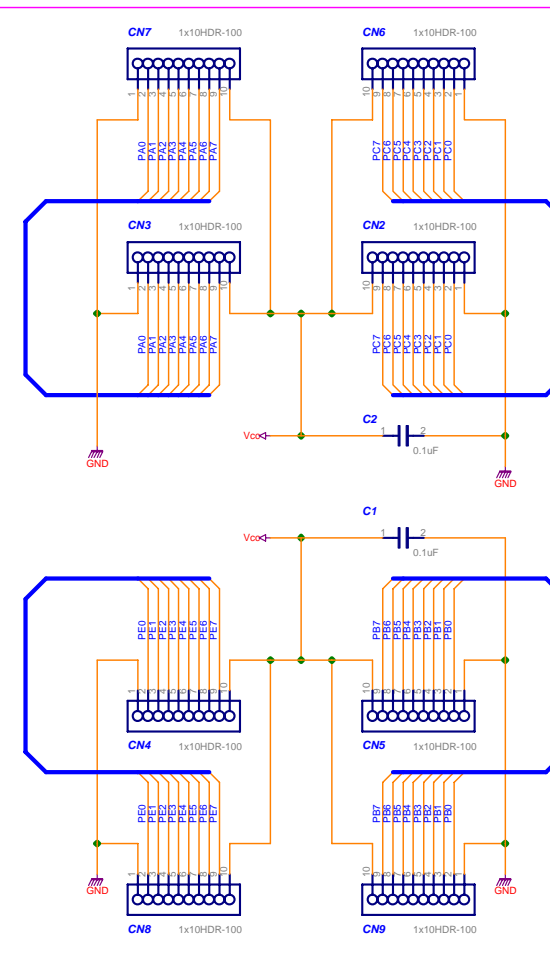
PF7(ADC7/TDI)	14	13	PF6(ADC6/TDO)
PF5(ADC5/TMS)	12	11	PF4(ADC4/TCK)
PF3(ADC3)	10	9	PF2(ADC2)
PF1(ADC1)	8	7	PF0(ADC0)
PG2(ALE)	6	5	PG1(RD)
PG0(WR)	4	3	N.C.
VCC/GND	2	1	GND/VCC

GND	1
PA0(AD0)	2
PA1(AD1)	3
PA2(AD2)	4
PA3(AD3)	5
PA4(AD4)	6
PA5(AD5)	7
PA6(AD6)	8
PA7(AD7)	9
Vcc	10

Port-A

Vcc	10
PC7(A15)	9
PC6(A14)	8
PC5(A13)	7
PC4(A12)	6
PC3(A11)	5
PC2(A10)	4
PC1(A9)	3
PC0(A8)	2
GND	1

Port-C



Port-E

GND	1
PE0(XD0/PDI)	2
PE1(XD0/PDO)	3
PE2(XD0/AIN0)	4
PE3(CD3/AIN1)	5
PE4(CD3/BINT#)	6
PE5(CD3/CINT#)	7
PE6(T3/INT#)	8
PE7(CP3/INT7)	9
Vcc	10

Port-B

Vcc	10
PB7(CD2/OCC)	9
PB6(OCTB)	8
PB5(OCTA)	7
PB4(OCD)	6
PB3(MSD)	5
PB2(MOS)	4
PB1(SCK)	3
PB0(SS)	2
GND	1

NANDethno Pocket Expansion Zero (1/3)

[Standard Edition]

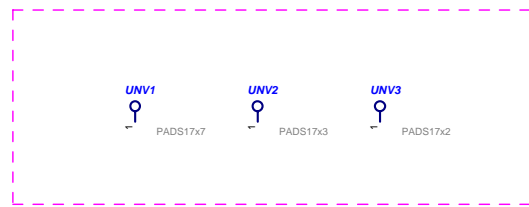
All trademarks represented in this document are registered by their respective owners.

STUDIO NAND

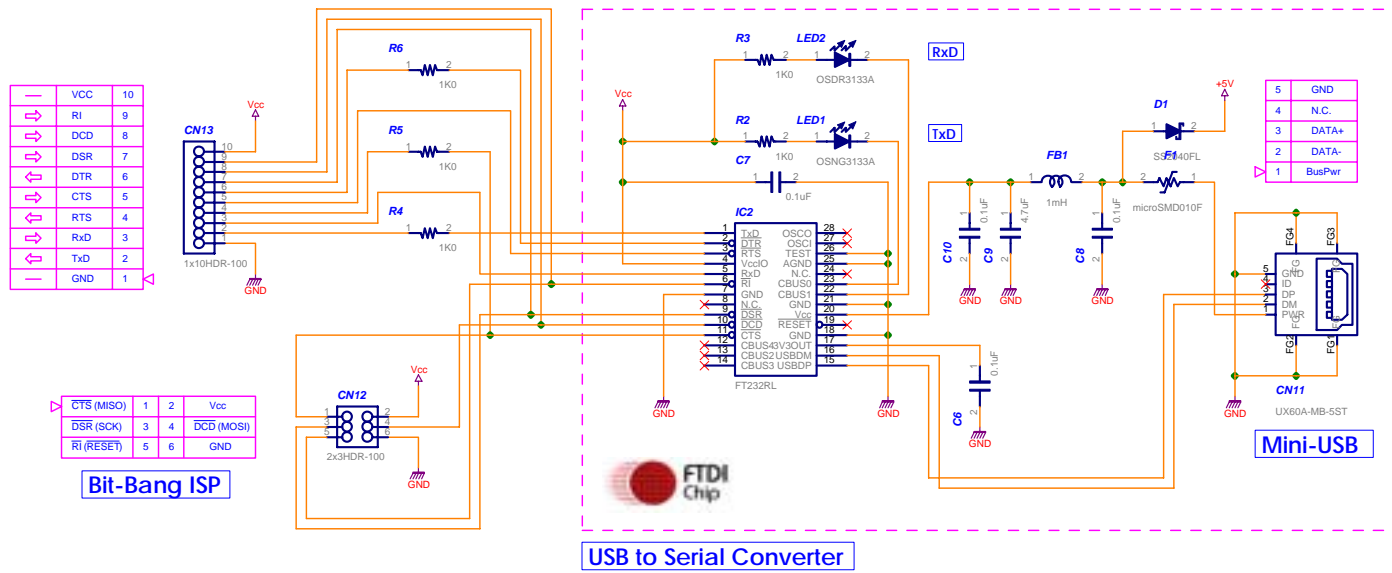
Pocket Expansion Zero #1

Creation Date 2011/12/08

Sheet Size A2 Modified Date 2011/12/08



Universal PCB Area



USB to Serial Converter

—	VCC	10
⇨	RI	9
⇨	DCD	8
⇨	DSR	7
⇨	DTR	6
⇨	CTS	5
⇨	RTS	4
⇨	RxD	3
⇨	TxD	2
—	GND	1

▶	CTS (MISO)	1	2	Vcc
▶	DSR (SCK)	3	4	DCD (MOSI)
▶	RI (RESET)	5	6	GND

5	GND
4	N.C.
3	DATA+
2	DATA-
1	BusPwr

NANDethno Pocket Expansion Zero (2/3)

[Standard Edition]

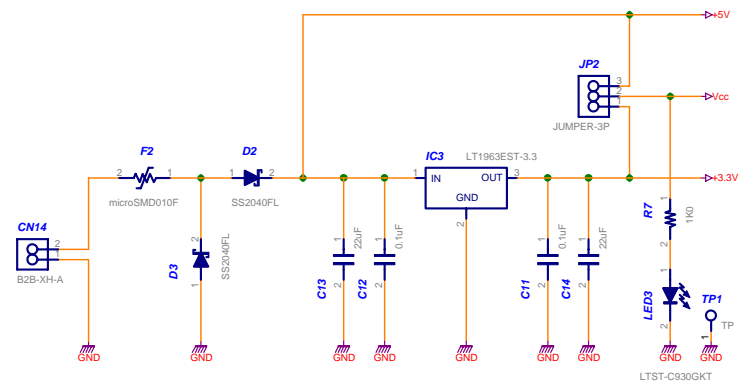
All trademarks represented in this document are registered by their respective owners.

STUDIO NAND

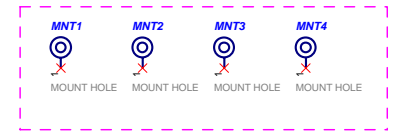
Pocket Expansion Zero #1

Creation Date 2011/12/08

Sheet Size A2	Modified Date 2011/12/08	A
---------------	--------------------------	---



JP2 Setting	Supply Voltage (Vcc)
	5V (USBPWR) 3.3V Reg. required
	3.3V 3.3V Reg. not required



Mounting Holes

*** 3.3V LDO Regulator IC Selection Guide ***

Order Part Number	Dropout Voltage	Output Current	MAX. Input Voltage
LT1129CST-3.3#PBF	400mV	700mA	+/-30V
LT1129IST-3.3#PBF	400mV	700mA	+/-30V
LT1963EST-3.3#PBF	340mV	1.5A	+/-20V
LT1963AEST-3.3#PBF	340mV	1.5A	+/-20V

NANDethno Pocket Expansion Zero (3/3)

[Standard Edition]

All trademarks represented in this document are registered by their respective owners.

STUDIO NAND	
Pocket Expansion Zero #1	
Creation Date 2011/12/08	
Sheet Size A2	Modified Date 2011/12/08
	A