

This document is released under the Creative Commons Attribution-NonCommercial-ShareAlike 3.0 License. (CC BY-NC-SA 3.0)

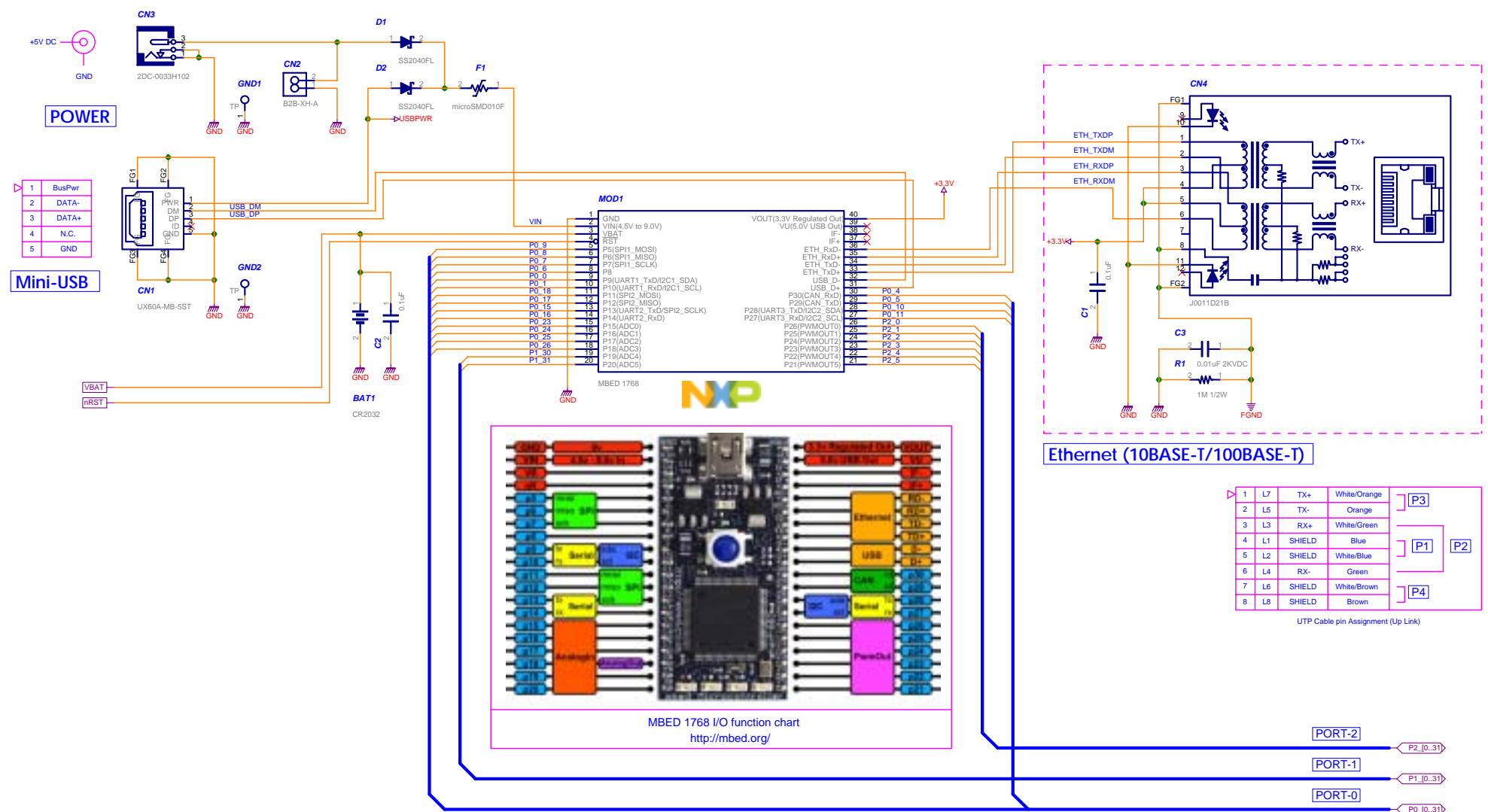
To view a copy of this license, visit web site [<http://creativecommons.org/licenses/by-nc-sa/3.0/>] Or, send a letter to Creative Commons, 444 Castro Street, Suite 900, Mountain View, California, 94041, USA.

Copyright (C) reserved 2011, Studio NAND (Dairyo Gokan). Website: <http://www.studio-nand.com/>

All trademarks represented in this document are registered by their respective owners.

NANDethno Pocket MBED (ALL)

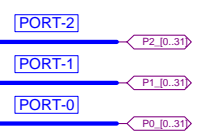
STUDIO NAND		NAND
NANDethno Pocket MBED		
Creation Date	2011/12/08	
Sheet Size A2	Modified Date	2011/12/08
		A



Ethernet (10BASE-T/100BASE-T)

1	L7	TX+	White/Orange	P3
2	L5	TX-	Orange	
3	L3	RX+	White/Green	P1
4	L1	SHIELD	Blue	
5	L2	SHIELD	White/Blue	P2
6	L4	RX-	Green	
7	L6	SHIELD	White/Brown	P4
8	L8	SHIELD	Brown	

UTP Cable pin Assignment (Up Link)



NANDethno Pocket MBED (1/3)

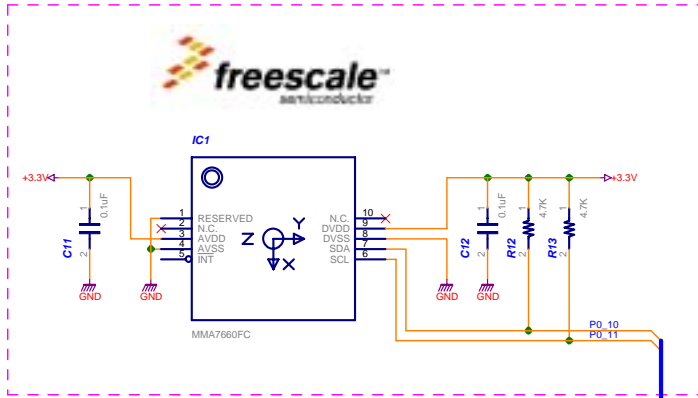
All trademarks represented in this document are registered by their respective owners.

STUDIO NAND

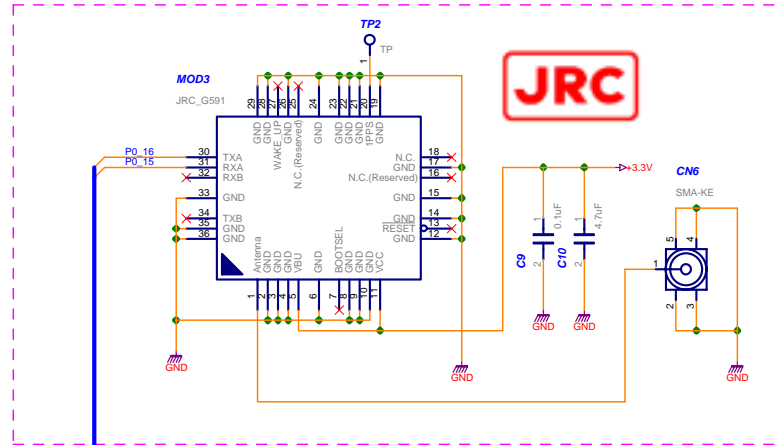
NANDethno Pocket MBED

Creation Date **2011/12/08**

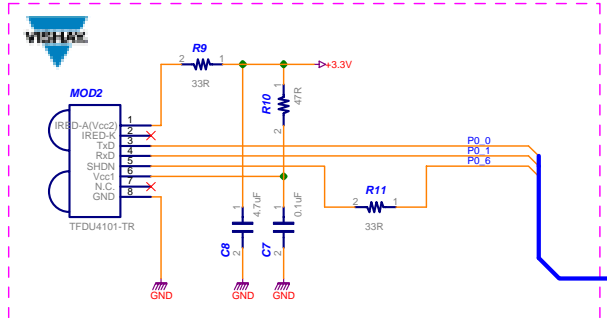
Sheet Size A2	Modified Date 2011/12/08	A
----------------------	---------------------------------	----------



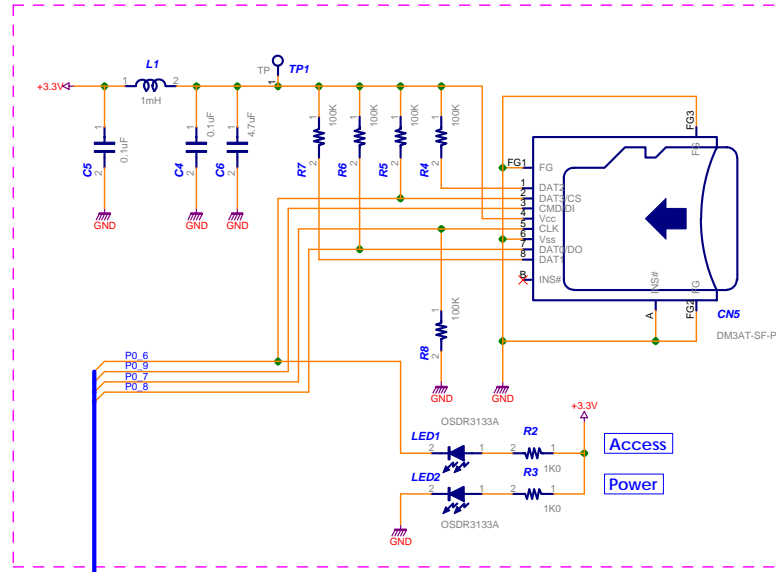
3-Axis, Orientation/Motion Detection Sensor



GPS Receiver Module

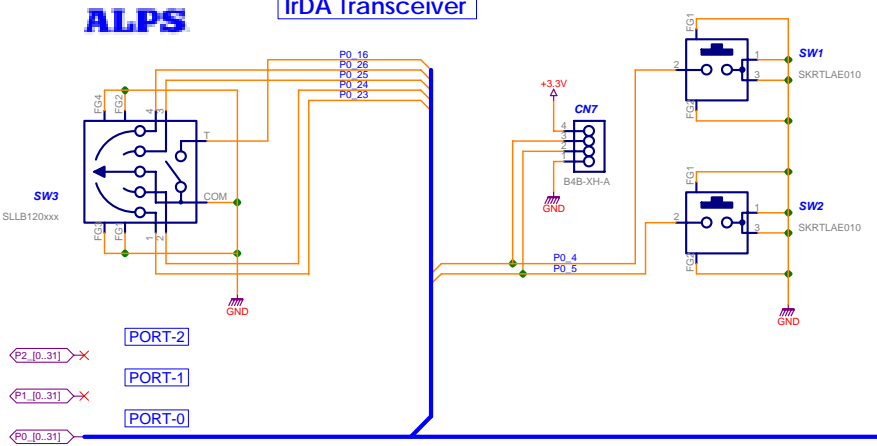


IrDA Transceiver



Micro-SD Memory Card

1	DAT2
2	DAT3/CS
3	CMD/DI
4	Vdd (3.3V)
5	CLK
6	Vss (GND)
7	DAT0/DO
8	DAT1



- PORT-2
- PORT-1
- PORT-0

NANDethno Pocket MBED (2/3)

All trademarks represented in this document are registered by their respective owners.

STUDIO NAND

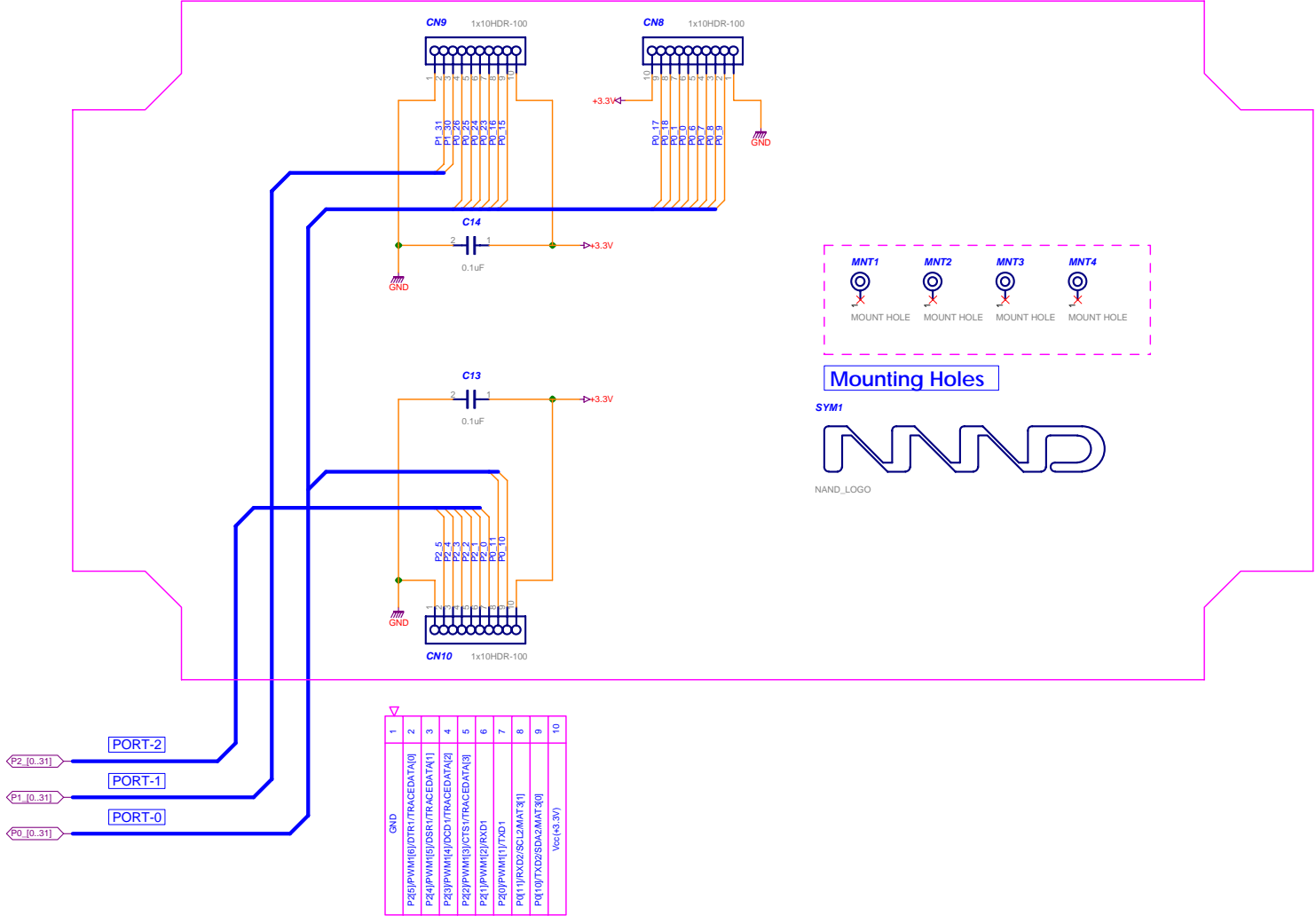
NANDethno Pocket MBED

Creation Date 2011/12/08

Sheet Size A2	Modified Date 2011/12/08	A
---------------	--------------------------	---

1	GND
2	P1[19]JSCK/AD[16]
3	P1[18]VBUS/AD[14]
4	P1[26]AD[13]/AC1/TX[03]
5	P1[25]AD[12]/USRX_SDA/TX[03]
6	P1[24]AD[11]/USRX_VS/CAP[1]
7	P1[23]AD[10]/USRX_CLK/CAP[0]
8	P1[19]RXD/ISSEL/RSSEL
9	P1[19]TXD/ISCK/ISCK
10	Vcc(+3.3V)

10	Vcc(+3.3V)
9	P1[17]CTS/MISO/MISO
8	P1[16]DCD/MOSI/MOSI
7	P1[17]TD1/RXD3/SCL1
6	P1[0]RD1/TXD3/SDA1
5	P1[0]RSRX_SDA/SEL1/MAT2[0]
4	P1[0]RSTX_CLK/SCK1/MAT2[1]
3	P1[0]RSTX_LV/MISO1/MAT2[2]
2	P1[0]RSTX_SDA/MOSI1/MAT2[3]
1	GND



1	GND
2	P2[5]PWM1[0]DTR/TRACE[DATA][0]
3	P2[4]PWM1[0]USRX/TRACE[DATA][1]
4	P2[3]PWM1[0]DCD/TRACE[DATA][2]
5	P2[2]PWM1[0]CTS/TRACE[DATA][3]
6	P2[1]PWM1[0]RXD1
7	P2[0]PWM1[0]TXD1
8	P1[1]RXD2/SCL2/MAT2[1]
9	P1[0]TXD2/SDA2/MAT2[0]
10	Vcc(+3.3V)

NANDethno Pocket MBED (3/3)

All trademarks represented in this document are registered by their respective owners.

STUDIO NAND 	
NANDethno Pocket MBED	
Creation Date	2011/12/08
Sheet Size A2	Modified Date 2011/12/08
	A